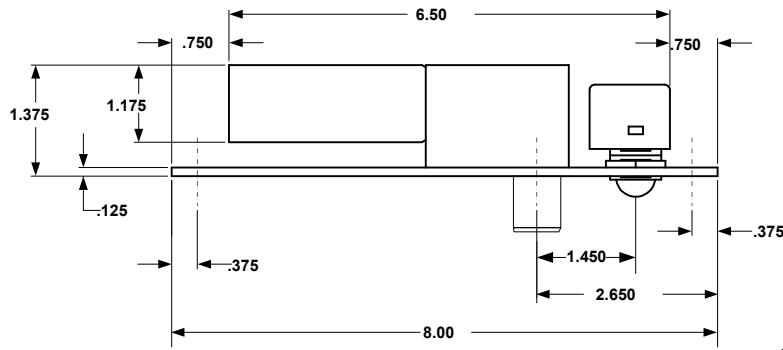




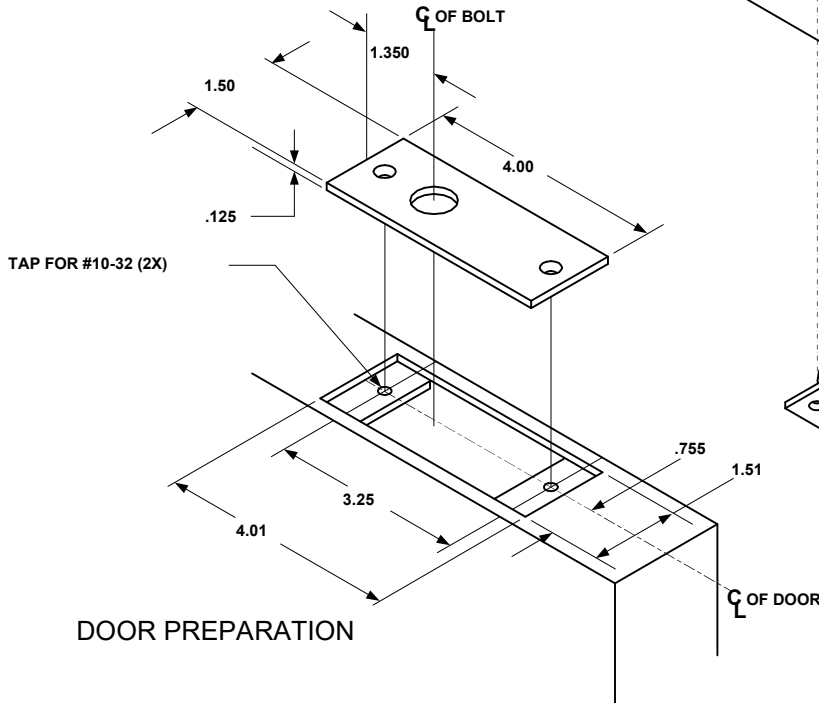
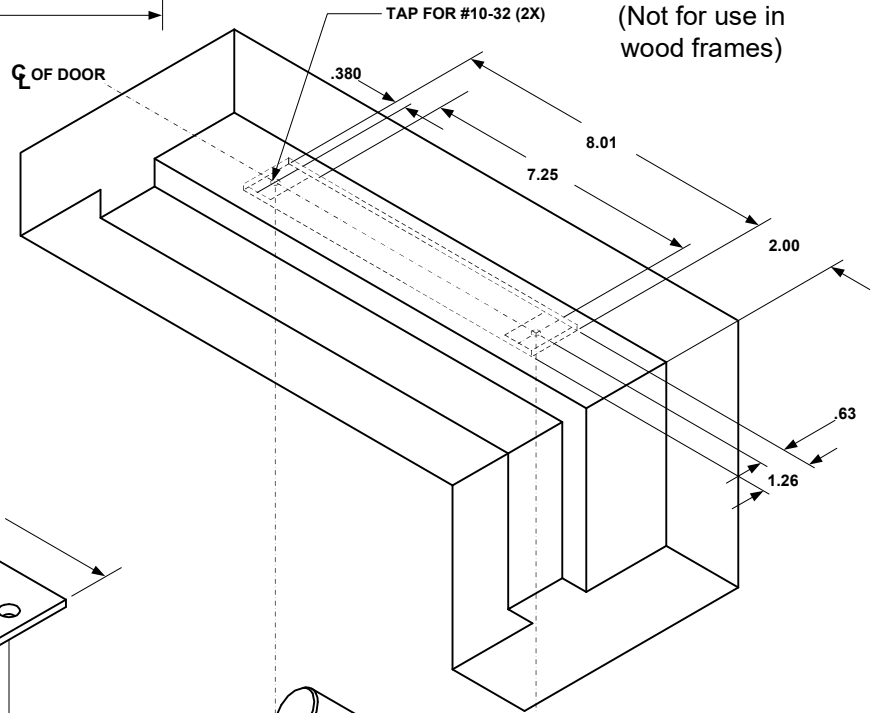
# INSTALLATION INSTRUCTIONS

## 1490A TEMPLATE



**NOTE: TEMPLATE DIMENSIONS ARE SUBJECT TO CHANGE WITHOUT NOTICE.**

**FRAME PREPARATION**  
(Not for use in wood frames)



**DOOR PREPARATION**

### TECHNICAL DATA (FOR STANDARD UNIT)

- FACE PLATE:** 8" x 1-1/4" x 1/8"
- STRIKE:** 4" x 1-1/2" x 1/8"
- ID REQUIREMENTS:** 8" x 1-1/2" x 1-3/8"
- BOLT:** 5/8" DIA. SOLID STAINLESS STEEL
- BOLT THROW:** 1/2"
- PR-1000 MODULE:** 3-3/4" x 1-1/4" x 1/2" (Required when mounted in frame)

Any suggestions or comments to this instruction or product are welcome. Please contact us through our website or email [engineer@sdsecurity.com](mailto:engineer@sdsecurity.com)