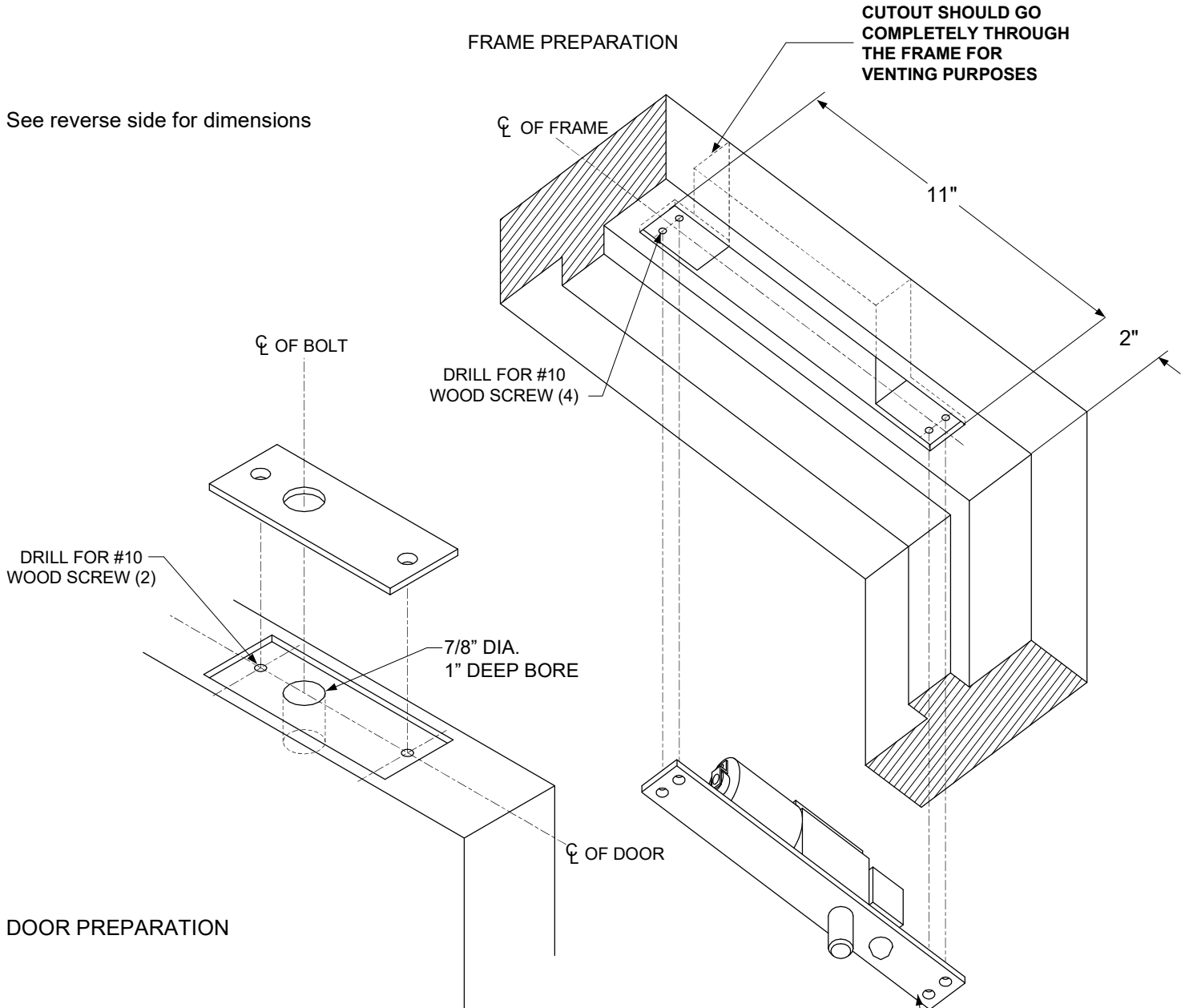




INSTALLATION INSTRUCTIONS

1190AWD WOOD DOOR & FRAME APPLICATION

See reverse side for dimensions



DOOR PREPARATION

TECHNICAL DATA (FOR STANDARD UNIT)

- FACE PLATE:** 11" x 1-3/4" x 1/8"
- STRIKE:** 4" x 1-1/2" x 1/8"
- BOLT:** 3/4" Dia. Solid Stainless Steel
- BOLT THROW:** 3/4"
- PR-1000 MODULE:** 3-3/4" x 1-1/4" x 1/2" (Required when mounted in frame.)

NOTE: TEMPLATE DIMENSIONS ARE SUBJECT TO CHANGE WITHOUT NOTICE.



DIMENSIONAL CUT OUT

FRONT VIEW

SIDE VIEW

