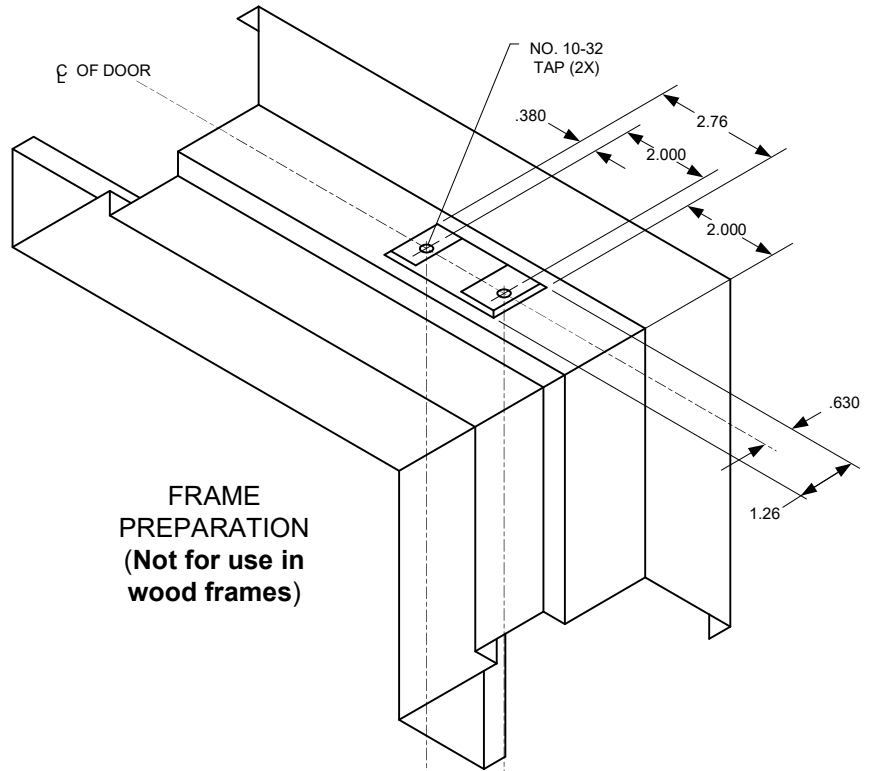
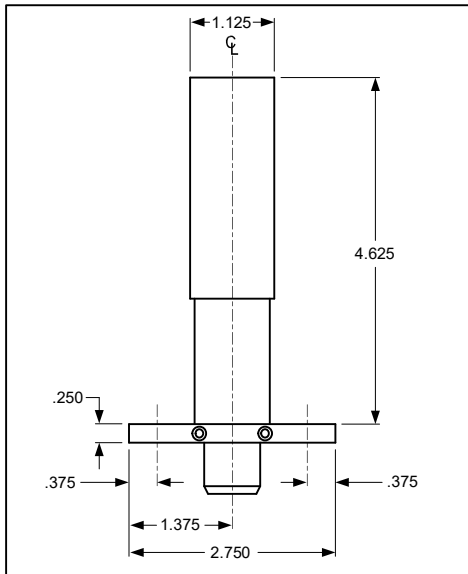


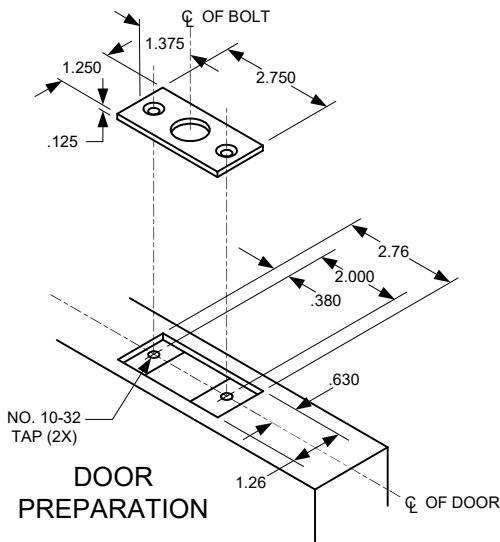


INSTALLATION INSTRUCTIONS

110/210 CONVENTIONAL MORTISE BOLT LOCK

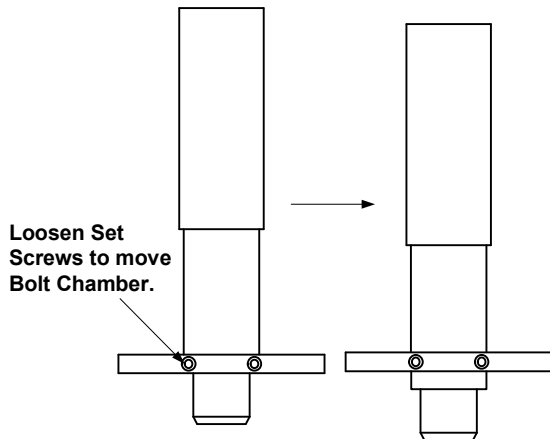


**FRAME
PREPARATION
(Not for use in
wood frames)**



**DOOR
PREPARATION**

Bolt Adjustable for Wide Door Gap



Loosen Set
Screws to move
Bolt Chamber.

**NOTE:
TEMPLATE DIMENSIONS ARE SUBJECT TO
CHANGE WITHOUT NOTICE**

TECHNICAL DATA

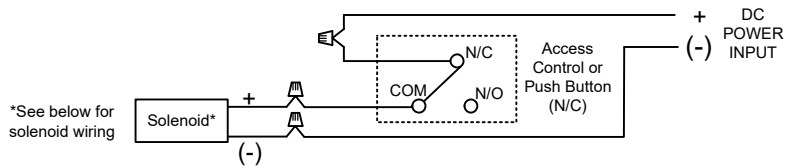
- FACE PLATE:** 2-3/4" x 1-1/4" x 1/4" (69.85mm x 31.75mm x 6.35mm)
- STRIKE:** 2-3/4" x 1-1/4" x 1/8" (69.85mm x 31.75mm x 3.18mm)
- ID REQUIREMENTS:** 2-3/4" x 1/4" x 4-5/8" (69.85mm x 6.35mm x 117.48mm)
- BOLT:** 1/2" (12.70mm) DIA. STAINLESS STEEL
- BOLT THROW:** 1/2" (12.70mm) ROTATING, ADJUSTABLE FOR WIDE GAP
- 110 FAIL-SAFE:** LOCKED WHEN ENERGIZED
- 210 FAIL-SAFE:** UNLOCKED WHEN ENERGIZED
- SOLENOID:** CONTINUOUS DUTY

Any suggestions or comments to this instruction or product are welcome. Please contact us through our website or email engineer@sdsecurity.com

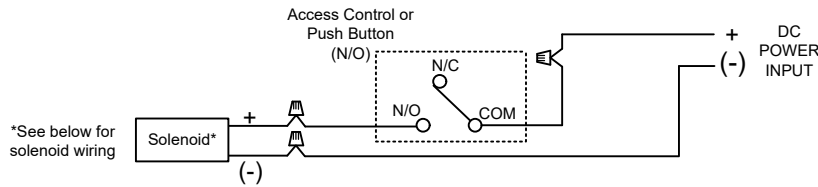


LOCK WIRING

110 (Standard wiring):

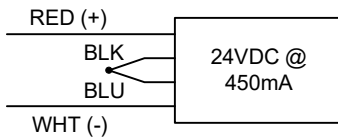


210 (Standard wiring):

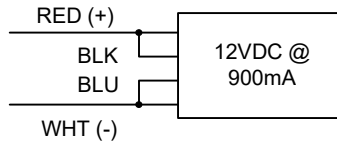


Solenoid Voltage Configuration:

24VDC SOLENOID CONFIGURATION



12VDC SOLENOID CONFIGURATION



ELECTRICAL DATA:

Dual Voltage (110/210)

12VDC @ .9 Amp

24VDC @ .45 Amp

Continuous Duty