

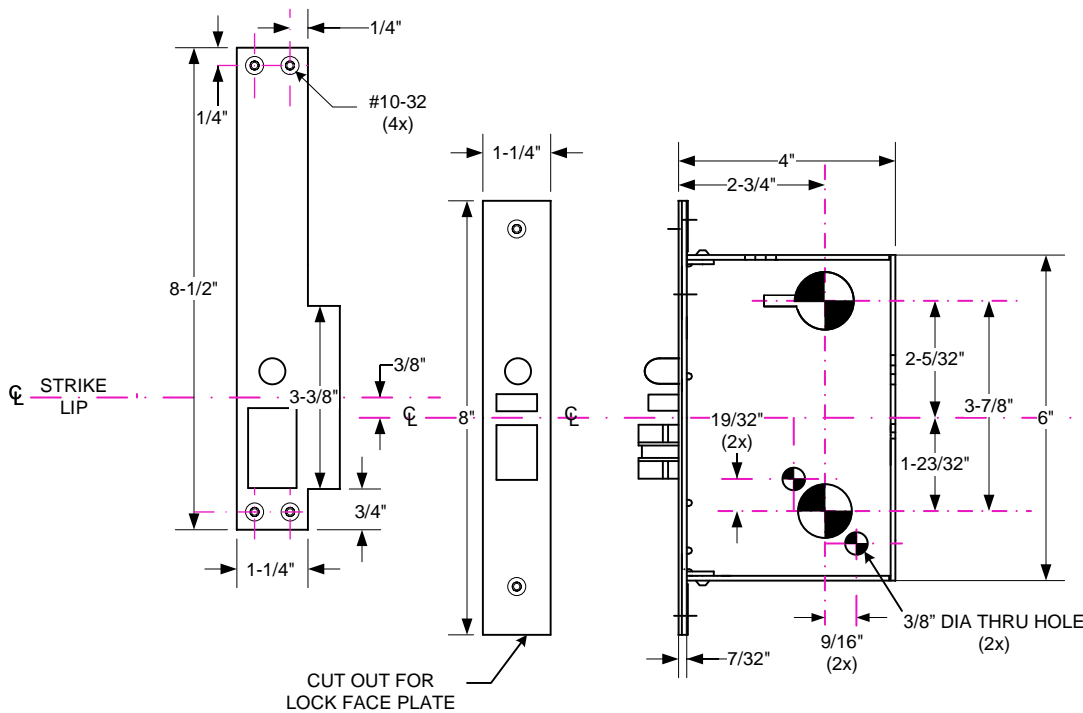


Z7500 HITOWER PRO SERIES
METAL DOOR, LOCK & TRIM PREP.
 FLAT OR BEVELED, HOLLOW METAL DOORS
 Rose Trim Models: E, G, N & O7
 Narrow Actuator Models: D, E & F
DIMENSIONAL REFERENCE ONLY

		OUTSIDE			INSIDE		
FUNCTION		LEVER HOLE	CYLINDER HOLE	THUMBTURN	LEVER	CYLINDER HOLE	THUMBTURN HOLE
**	Z7530	●	●		●	●	
	Z7550	●	●		●		
**	Z7560	●	●		●	●	
	Z7570	●	●		●		

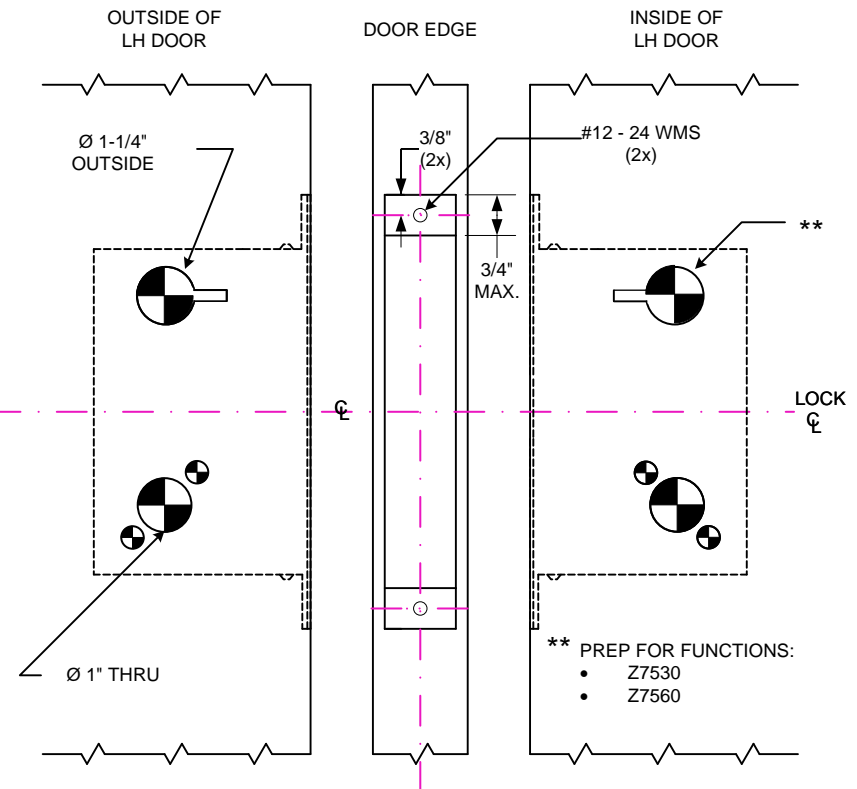
LOCK DETAIL

COMMON CENTER LINE
 LOCK, STRIKE, DOOR



DOOR DETAIL

MEASURE BACKSET
 FROM \varnothing DOOR EDGE



SEE Pg. 3 FOR FRAME
 PREP

Any suggestions or comments to this instruction or product are welcome. Please contact us through our website or email engineer@sdsecurity.com



Z7500 HITOWER PRO SERIES WOOD DOOR, LOCK & TRIM PREP.

FLAT OR BEVELED, WOOD DOORS

Rose Trim Models: E, G, N & O7

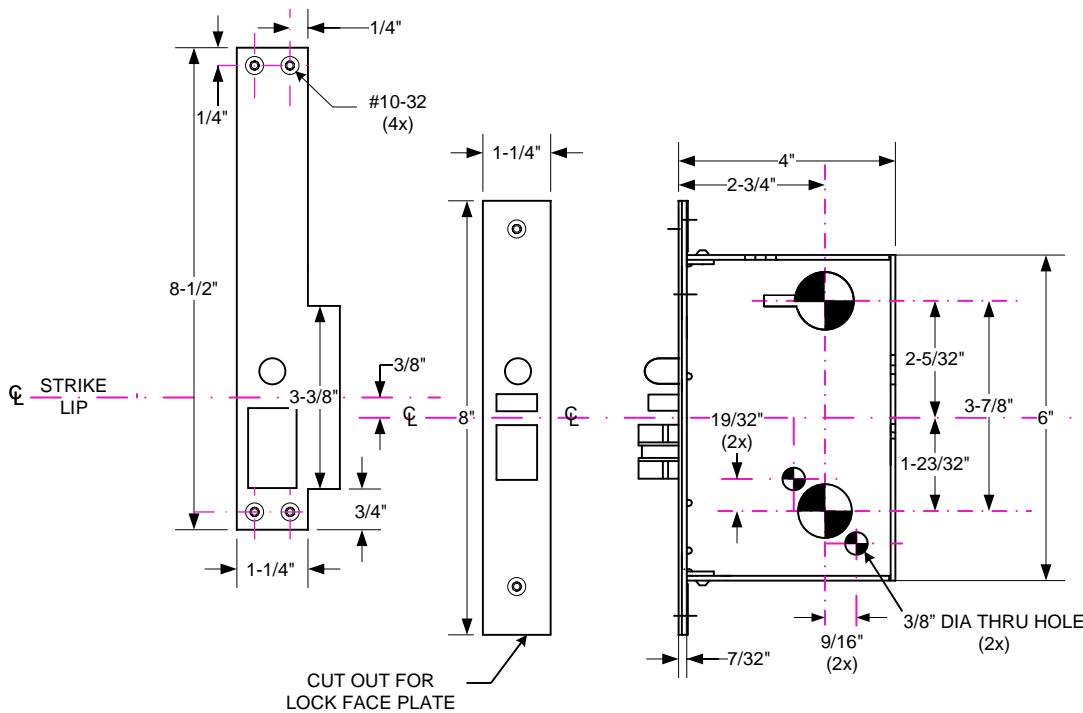
Narrow Actuator Models: D, E & F

DIMENSIONAL REFERENCE ONLY

		OUTSIDE			INSIDE		
FUNCTION		LEVER HOLE	CYLINDER HOLE	THUMBTURN	LEVER	CYLINDER HOLE	THUMBTURN HOLE
**	Z7530	●	●		●	●	
	Z7550	●	●		●		
**	Z7560	●	●		●	●	
	Z7570	●	●		●		

LOCK DETAIL

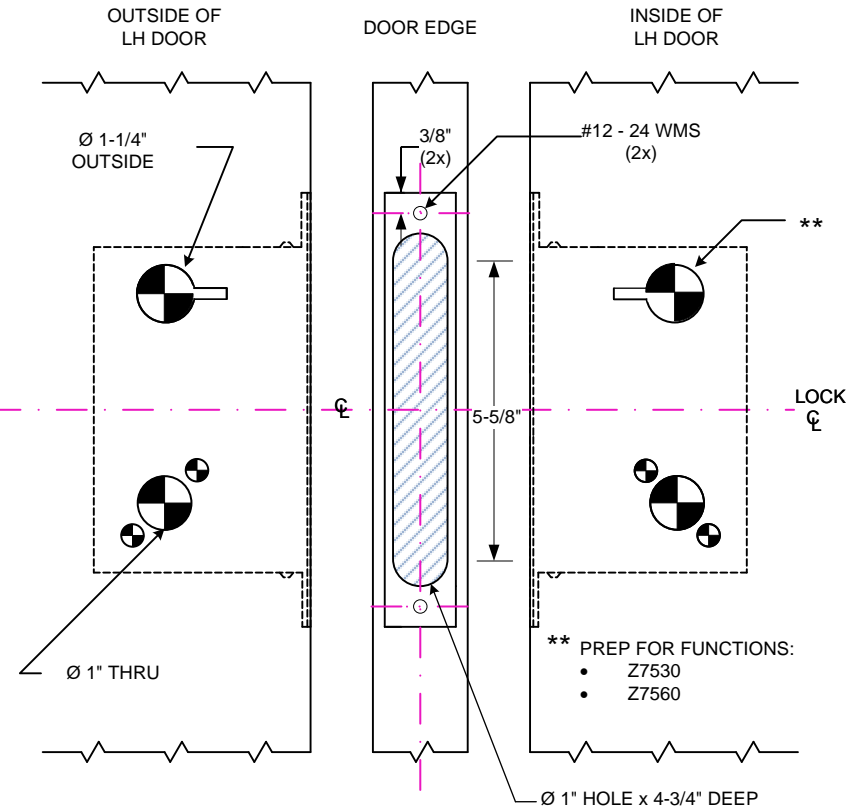
COMMON CENTER LINE
LOCK, STRIKE, DOOR



SEE Pg. 3 FOR FRAME
PREP

DOOR DETAIL

MEASURE BACKSET
FROM ϕ DOOR EDGE

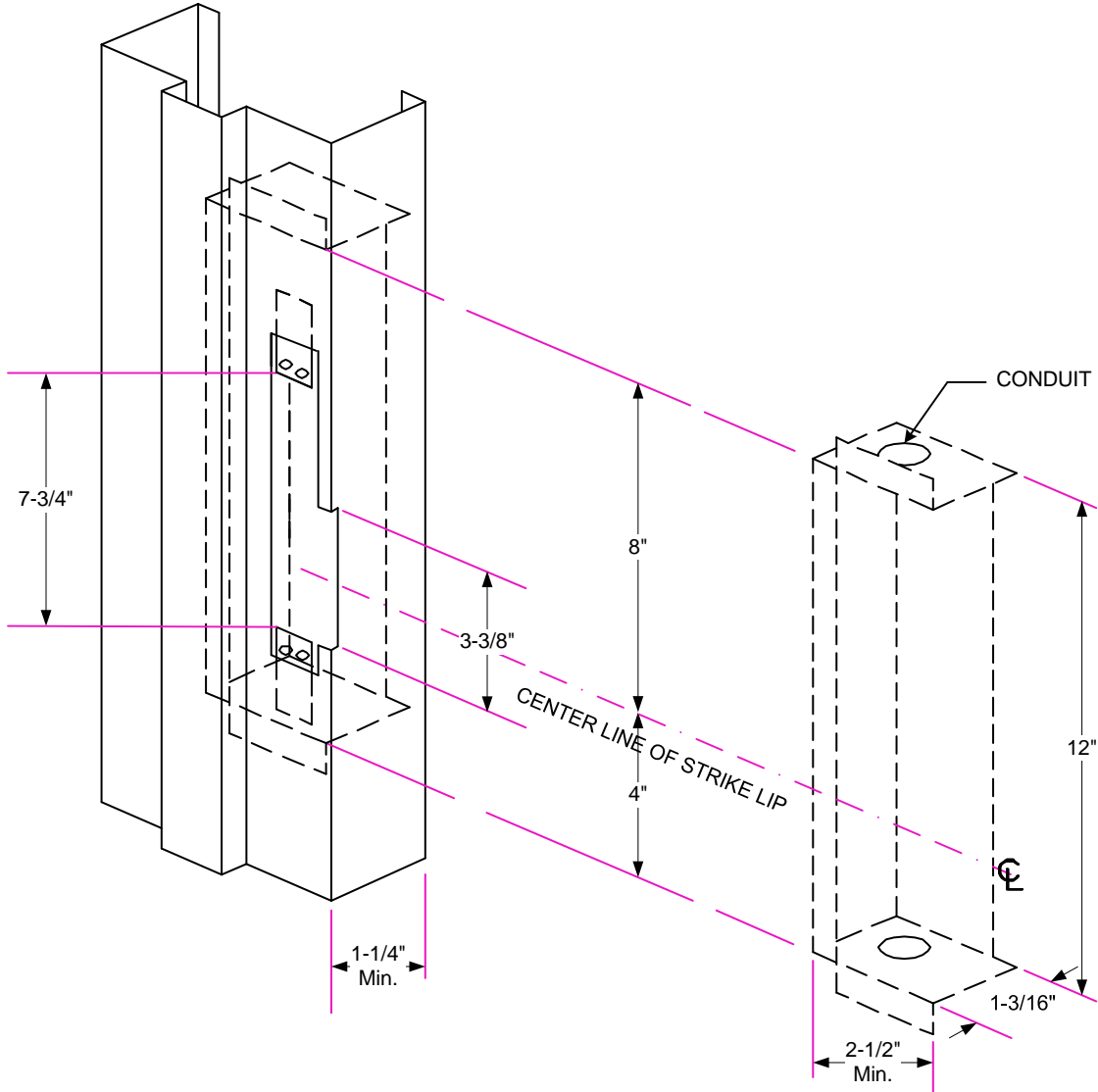


Any suggestions or comments to this instruction or product are welcome. Please contact us through our website or email engineer@sdsecurity.com



Z7500 HiTOWER PRO SERIES 1-1/4" ~ 1-3/4" METAL FRAME ACTUATOR PREP For Narrow Actuator Models: D, E & F

DIMENSIONAL REFERENCE ONLY



ELECTRICAL BOX BY FRAME MFG'R

NOTE:

- CONCRETE / MASONRY DETAIL SHOWN.
- FOR STRIKE RELATION TO LOCK SEE IMAGE TO THE RIGHT.
- MINIMUM FRAME FACE 1-1/4".

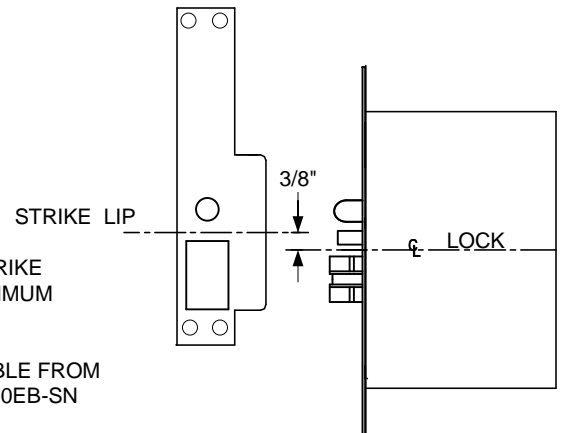
IMPORTANT

Details show space requirements for electric controller box. Allowances for different wall construction materials must be taken into consideration. Install conduit connectors in top of box before welding to frame.

NOTE:

THE 7-3/4" CLEARANCE BETWEEN THE STRIKE REINFORCEMENT TABS IS CRITICAL *MAXIMUM THICKNESS OF TABS 1/8"

UL LISTED BOX SHOWN ABOVE IS AVAILABLE FROM SECURITY DOOR CONTROLS. PART #: 7500EB-SN



Any suggestions or comments to this instruction or product are welcome. Please contact us through our website or email engineer@sdsecurity.com