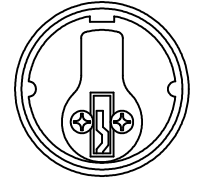
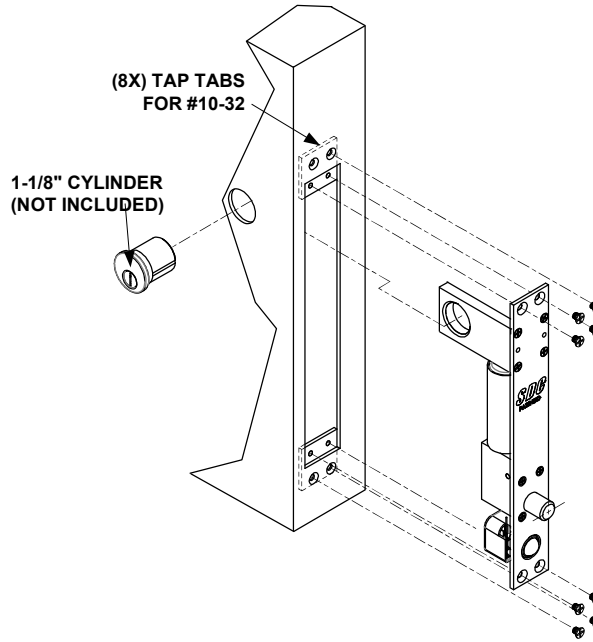
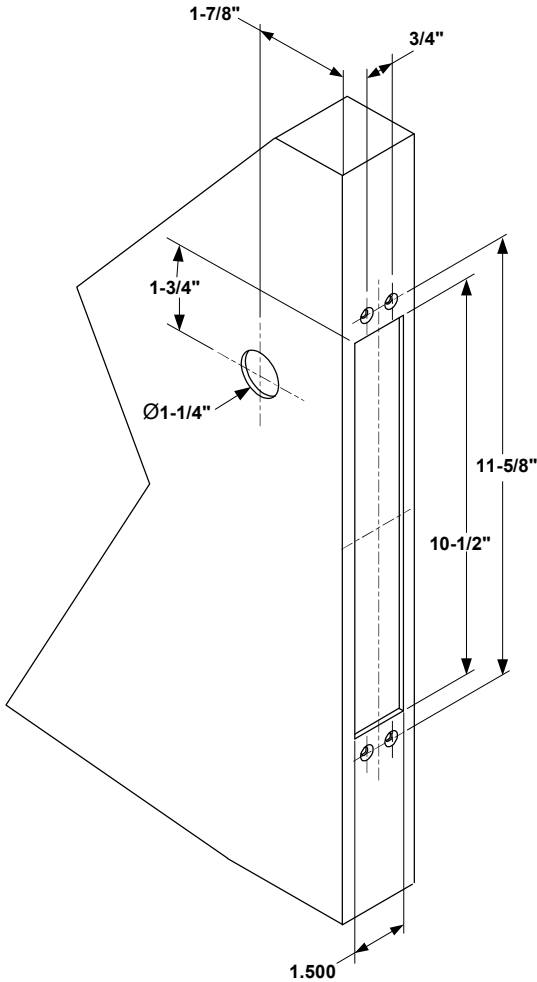




INSTALLATION INSTRUCTIONS

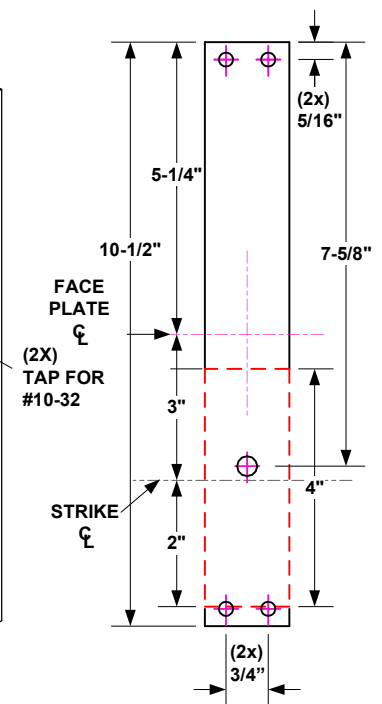
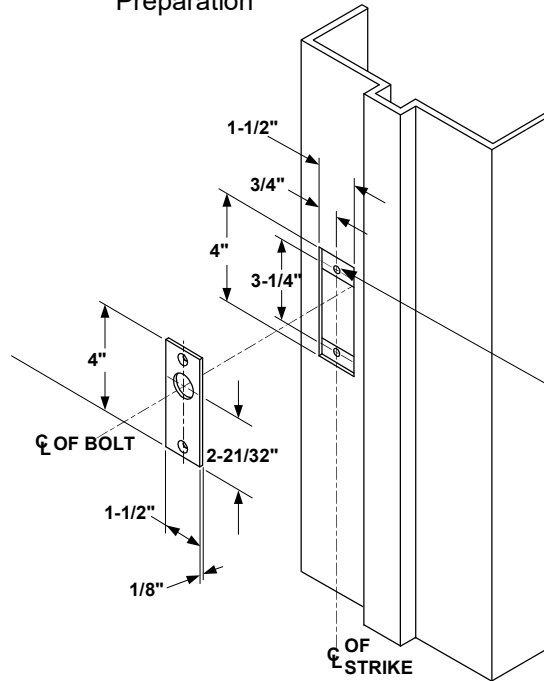
1091ADMR1 (1-7/8" BACKSET) CONCEALED MORTISE BOLT LOCK with MECHANICAL RELEASE FAIL-SAFE (SINGLE CYLINDER PREP)

Door Preparation



Use standard straight cam ILCO (863G) or equivalent.

Frame Preparation



NOTE:
DIMENSINOAL REFERENCE ARE SUBJECT TO CHANGE WITHOUT NOTICE.

TECHNICAL DATA (FOR STANDARD UNIT)

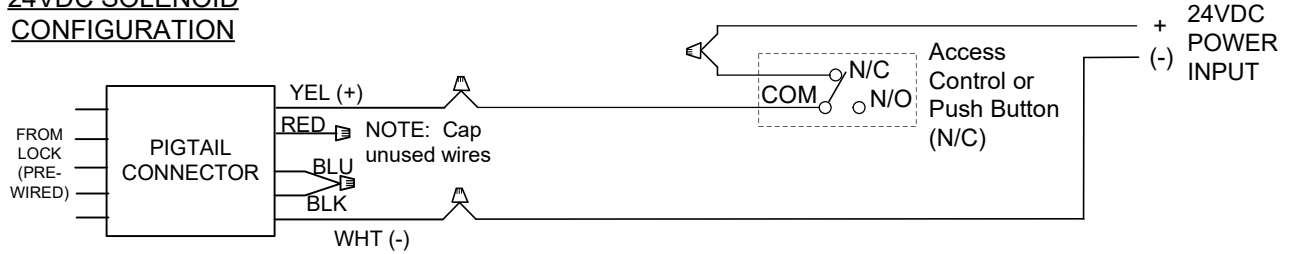
FACE PLATE:	10-1/2" x 1-1/2" X 1/8"
STRIKE:	4" x 1-1/2" x 1/8"
ID REQUIREMENTS:	10-1/2" x 1-1/2" x 2-7/8"
BOLT:	5/8" DIA. STAINLESS STEEL
BOLT THROW:	3/4"
BACK SET:	1-7/8"

Any suggestions or comments to this instruction or product are welcome. Please contact us through our website or email engineer@sdsecurity.com

LOCK WIRING

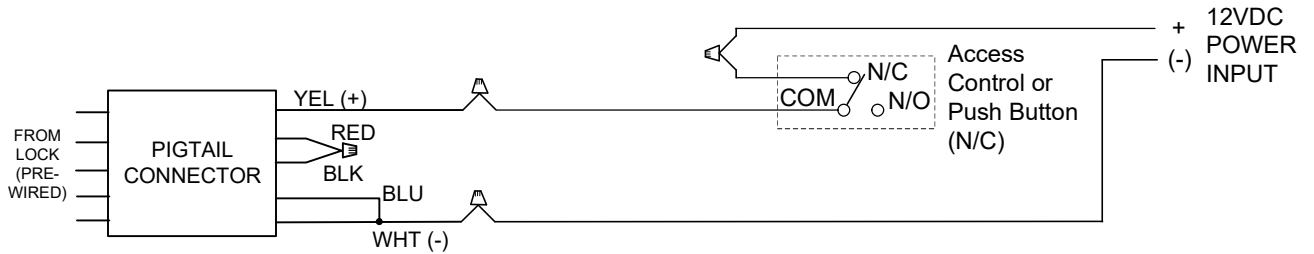
Select 24VDC OR 12VDC Configuration, and use provided pigtail connector:

24VDC SOLENOID CONFIGURATION



ELECTRICAL DATA:
Dual Voltage Solenoid
 12VDC@ .9 mA (max.)
 24VDC@ .45 mA (max.)
 Continuous Duty

12VDC SOLENOID CONFIGURATION

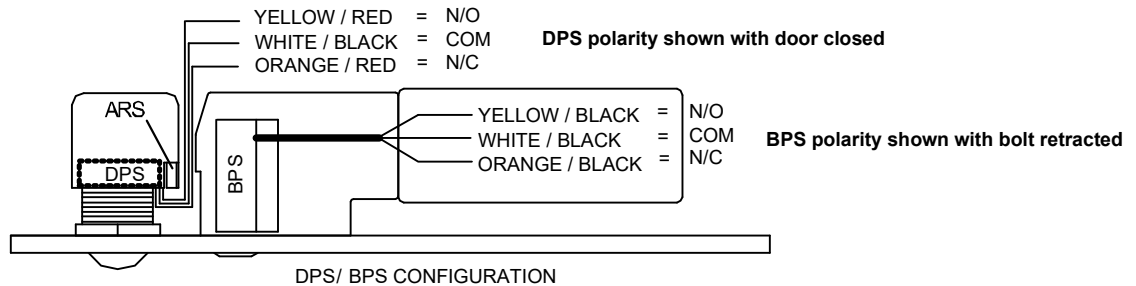


OPTIONAL BOLT POSITION SENSOR (BPS-MAGNETIC)

B Indicates bolt locked or unlocked 5 Watt

OPTIONAL DOOR POSITION SWITCH (DPS-MECHANICAL)

D Indicates door opened or closed 4A @ 30VDC (Resistive)



*When both options are ordered the Common is shared