



# QUICKSTART GUIDE

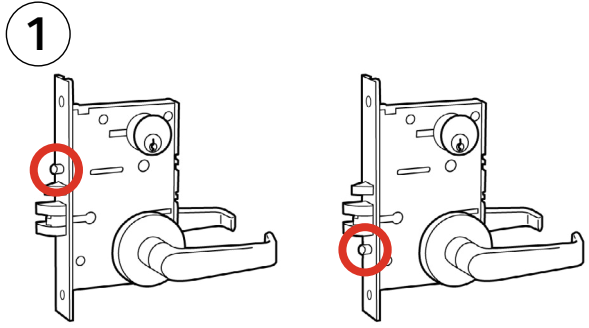
## REPLACING A HITOWER® LOCK

SDC HiTower® locks have been in service for over 40 years. Through that time, the lock series has gone through significant changes. In the past, SDC modified mortise lock chassis from an extensive list of manufactures as well as making a complete SDC component version. Today, SDC no longer offers any conversions of other manufacturers locks into the HiTower lock configuration. If you are replacing a lock modified from one of these manufacturers, you must replace the mechanical part of the lock in the door and the actuator in the jamb with one of the three current base models of the SDC HiTower lock now offered. Trim from other manufactures converted locks cannot be used in the current SDC HiTower lock models with only on exception, Schlage L Trim.

### Selecting the Right Model

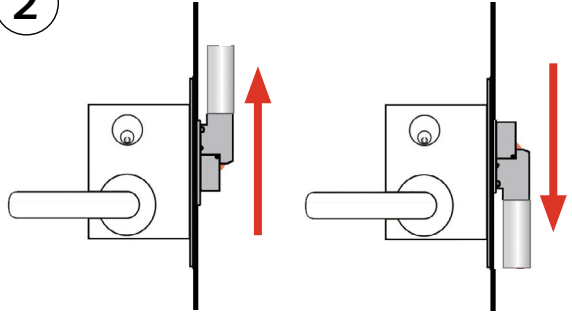
Picking the right current SDC HiTower model when replacing your existing lock requires answering some basic questions about the lock, actuator in the jamb and the jamb itself.

**1**



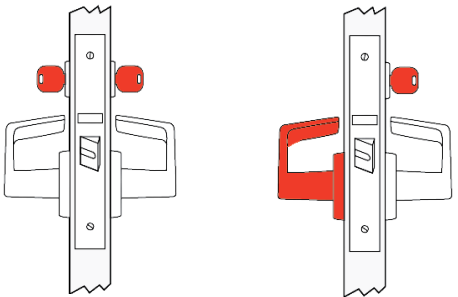
What is the position of the bullet nose projection from the mortise case in the door, above the latch or below the latch?

**2**



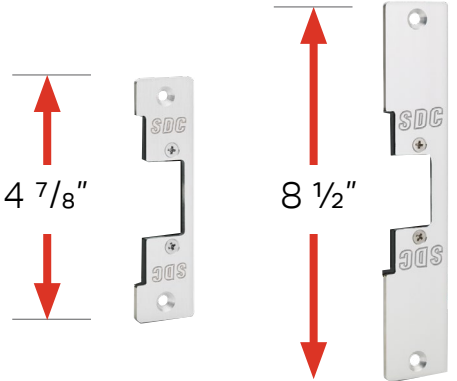
What is the orientation of the solenoid for the existing lock, up or down?

**3** Which one of these functions of the existing lock do you have?



**Locked Both Sides, Failsafe**      **Locked Outside Only, Failsafe**

**4** What is the length of the existing actuator strike?



$4 \frac{7}{8}$ "       $8 \frac{1}{2}$ "



5

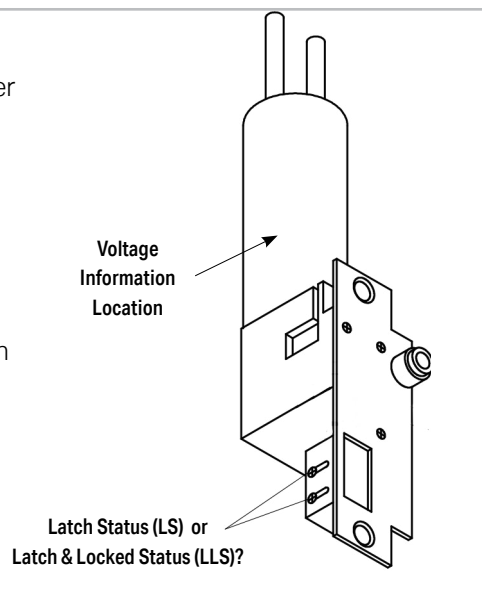
What is the voltage of the current HiTower lock, 24VAC, 24VDC, 115VAC?

6

Does the existing HiTower lock have one of these monitoring signal switches built into the actuator, latch status (LS) or latch & locked status (LLS)?

OPTIONS

L	Latch Status (LS)
S	Latch & Locked Status (LLS)

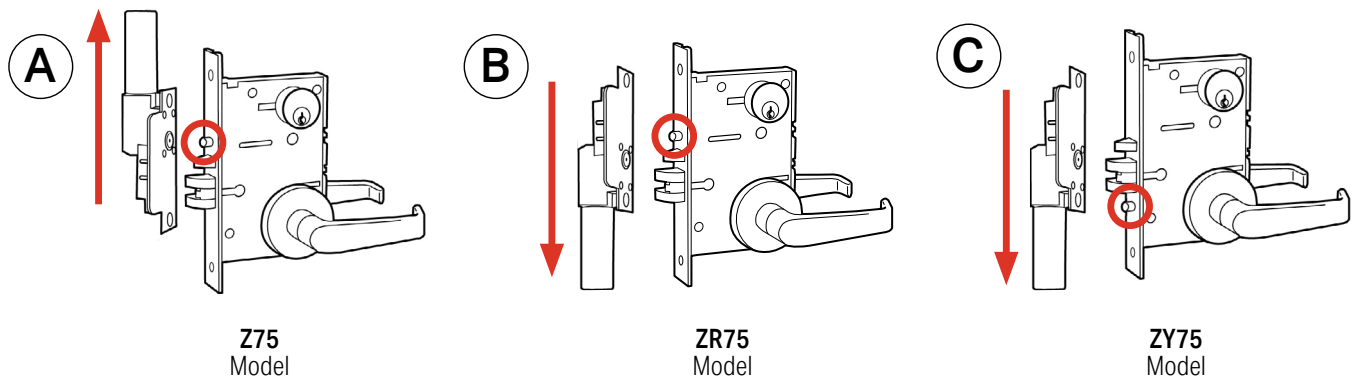


### Building the Part Number

Questions ① and ② dial you into what current HiTower lock model you need for replacement.

- A. If the bullet nose projection is above the latch from the mortise chassis in the door and the solenoid placement is up, the Z75 model is what you will need.
- B. If the bullet projection is above the latch and the solenoid orientation is down, you will need the ZR75 model.
- C. If the bullet nose projection is below the latch and the solenoid projection is down, use the ZY75 model.

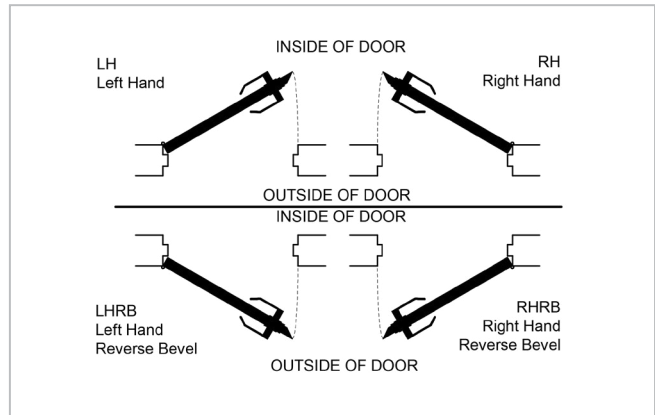
### 7500 SERIES



**Question ④** – The answer to this question along with the voltage answer to **Question ⑤** determines which actuator option you need. A 4 $\frac{7}{8}$ " long actuator strike plate corresponds to the standard 1 $\frac{3}{4}$ " to 2" frame and a 8 $\frac{1}{2}$ " long actuator strike plate corresponds to the 1 $\frac{1}{4}$ " to 1 $\frac{1}{2}$ " frame face options.

You also need to know the handing of the door and will need to select SDC trim and finish that best matches the facilities requirements.

Armed with this information, go to the 7500 Series Priceshet and compile a part number to provide you distributor. If you are still not sure, provide SDC customer support, [service@SDCSecurity.com](mailto:service@SDCSecurity.com), with the answers to the questions above with representative pictures of the lock and actuator and we will guide you to the proper selection.

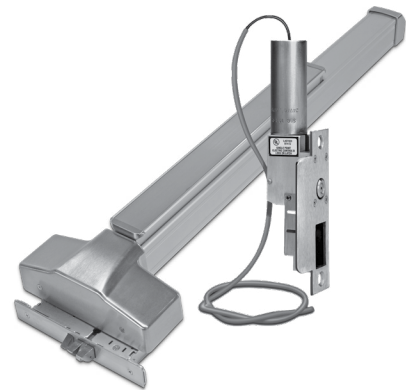




**How To Order - 7500 Product Page:**  
Go to the product page and access the priceshet for ordering information.  
[www.sdcsecurity.com/7500](http://www.sdcsecurity.com/7500)

## HiTower Exit Devices

If you require an exit device to replace an existing HiTower mortise lock, SDC's S6303FH series of HiTower frame actuator controlled mortise exit devices replace mortise lock preps for Z75 models. If the existing lock prep conforms to the ZR75 or ZY75 model prep, then the jamb will have to be reworked by a door and frame provider to accommodate the S6303FH series device.



**S6303FH Series**



**How To Order - S6000 Product Page:**  
Go to the product page and access the S6303FH priceshet for ordering information.  
[www.sdcsecurity.com/S6000](http://www.sdcsecurity.com/S6000)

Do not hesitate to contact SDC customer support, (800) 413-8783 USA toll free, for guidance.