

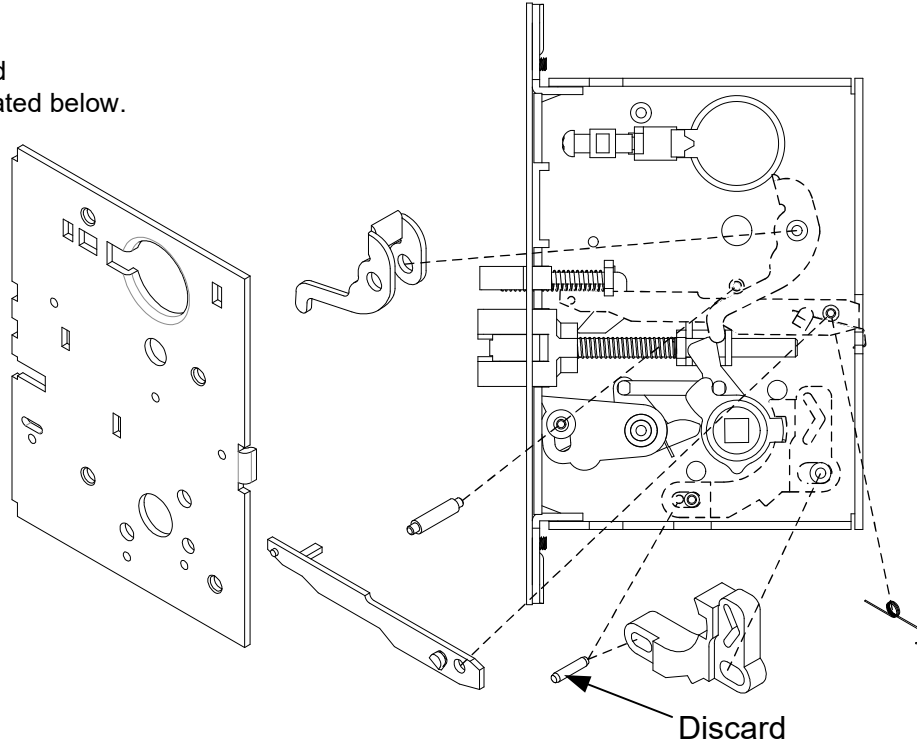


INSTALLATION INSTRUCTIONS

SK-L90 / SK-L90-SC FIELD RETROFIT ELECTRIFICATION KIT SCHLAGE L9070 & L9080 MORTISE LOCKSET

1

Remove cover and components indicated below.



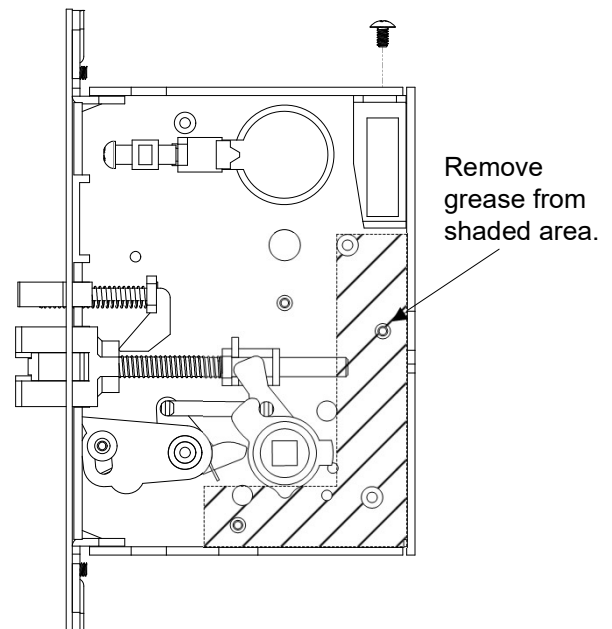
2

Drill #17 hole through top of mortise case as shown.



3

Remove grease from inside of case where indicated. Remove grease from case cover in corresponding area to prevent binding. Attach Solenoid Holder to case. Use supplied screw through the top of the case where shown.

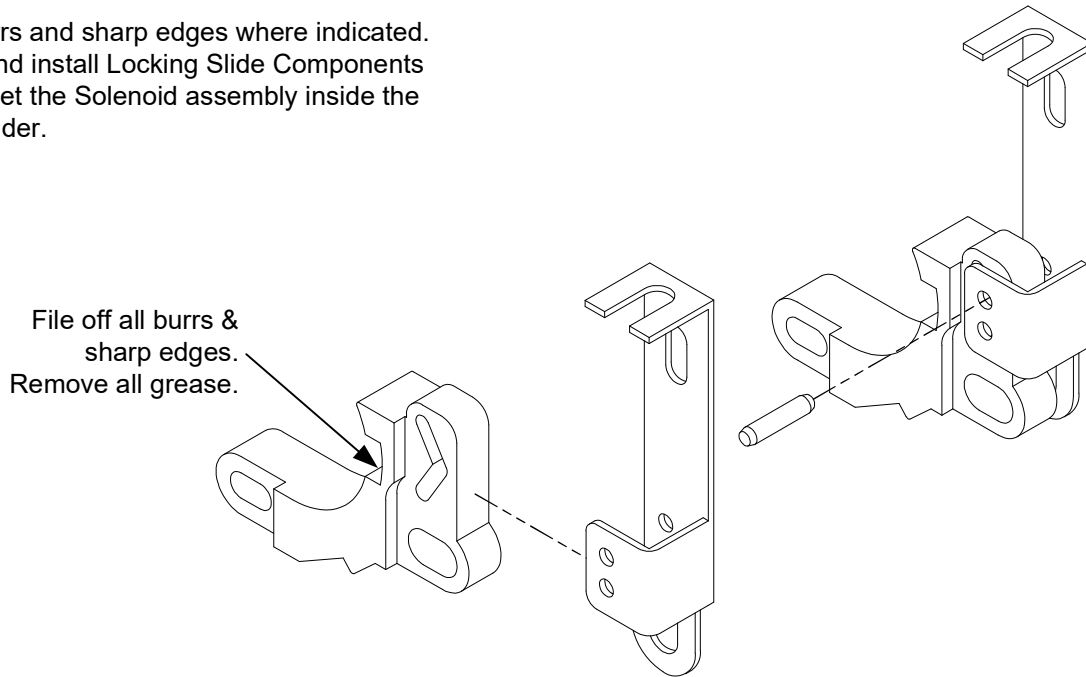


NOTE:

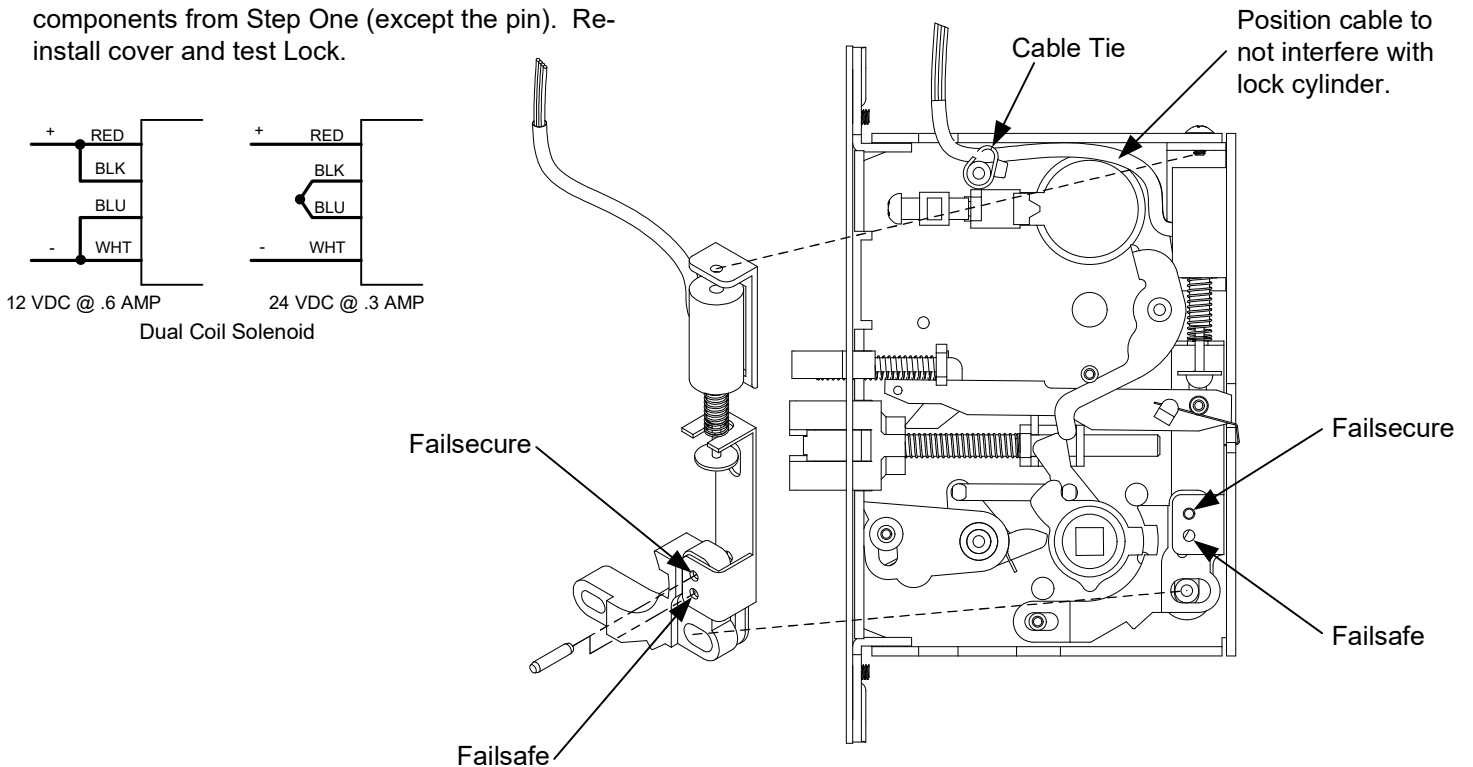
SK-L90-SC Includes a spring cage which is required for outside lever for the L9080 Schlage lockset

Any suggestions or comments to this instruction or product are welcome. Please contact us through our website or email engineer@sdsecurity.com

4
Remove burrs and sharp edges where indicated. Assemble and install Locking Slide Components as shown. Set the Solenoid assembly inside the Solenoid holder.



5
Attach Solenoid to Slide Arm and route wires as shown. Use cable tie for strain relief. Re-attach components from Step One (except the pin). Re-install cover and test Lock.



NOTE:
SK-L90-SC Includes a spring cage which is required for outside lever for the L9080 Schlage lockset