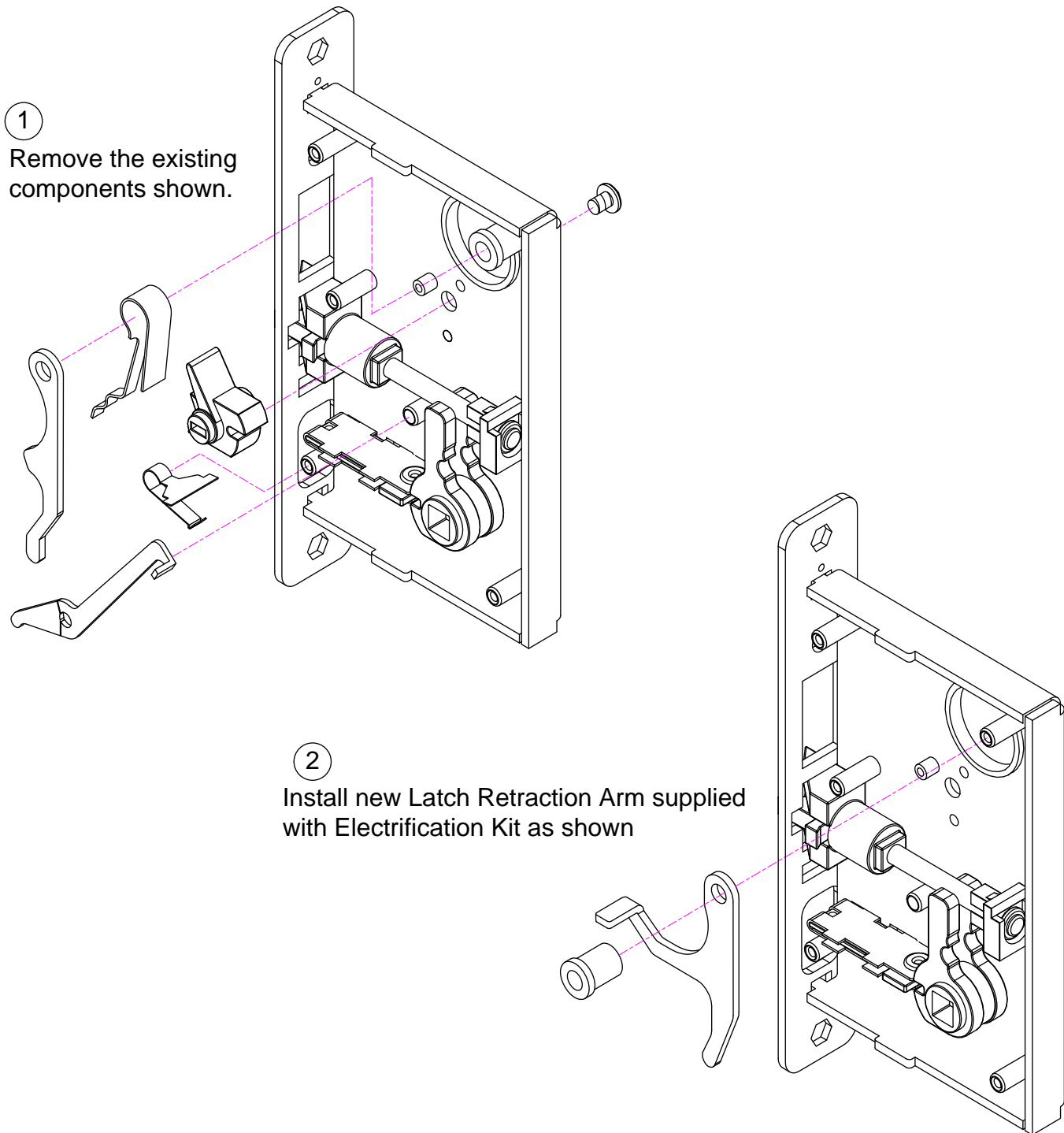


SDC Security Door Controls

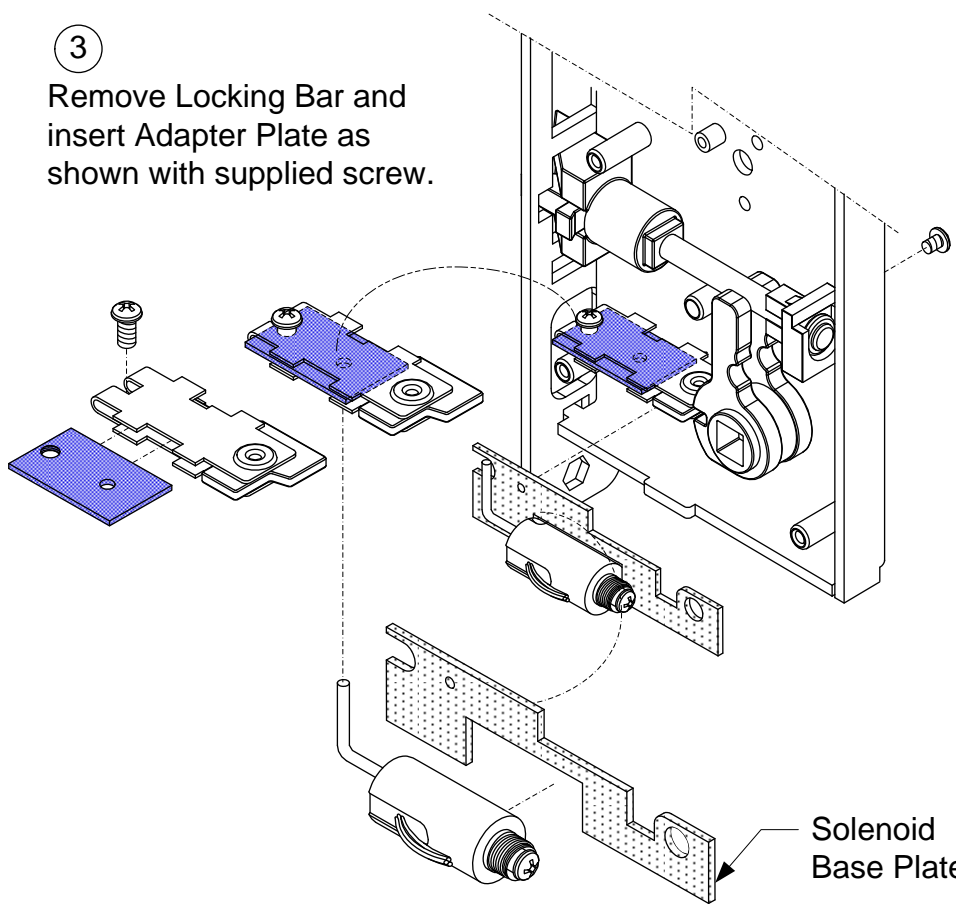
801 Avenida Acaso, Camarillo, Ca. 93041 • (805) 494-0622 • Fax: (805) 494-8861
www.sdcsecurity.com • E-mail: service@sdsecurity.com

INSTALLATION INSTRUCTIONS SK-82 FIELD ELECTRIFICATION KIT SARGENT 8204 MORTISE LOCKSET



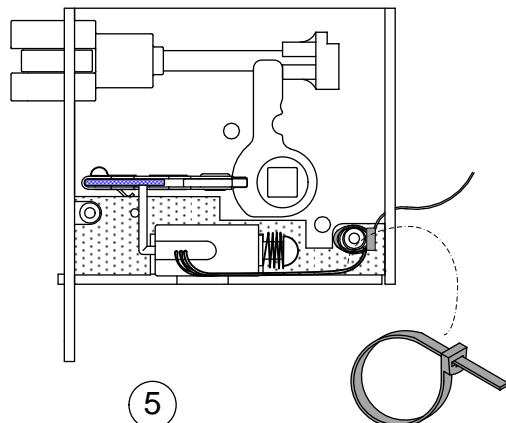
3

Remove Locking Bar and insert Adapter Plate as shown with supplied screw.



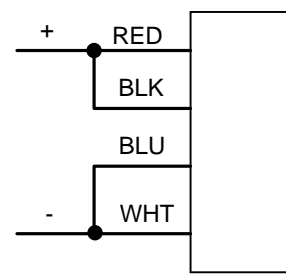
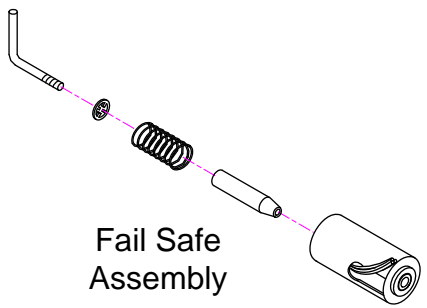
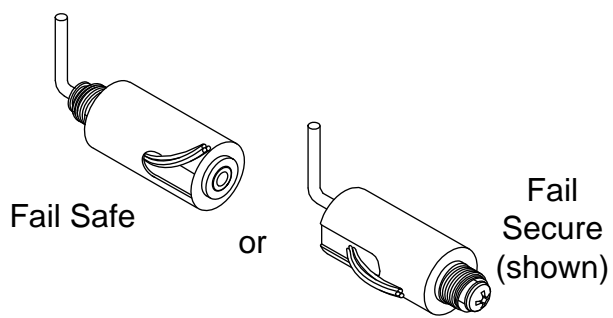
4

Place Solenoid Base Plate into position. Secure with screw through existing hole in back of case.

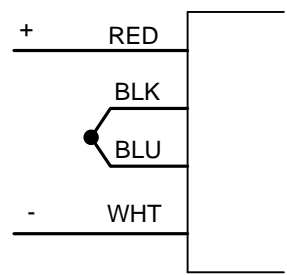


5

Route wires around post and through case as shown. Use cable tie as strain relief and position it to avoid interference with the lever mounting.



12 VDC @ .6 AMP



24 VDC @ .3 AMP

Dual Coil Solenoid