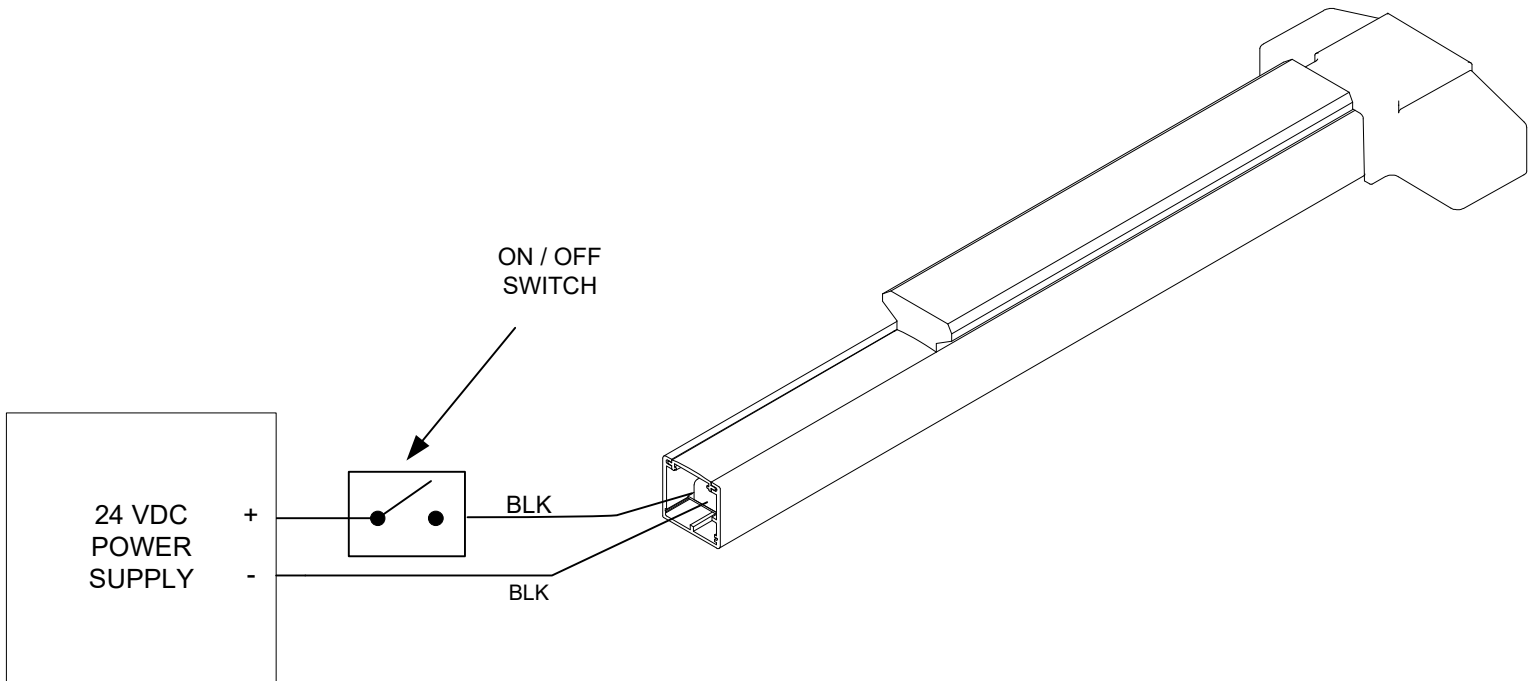




INSTALLATION INSTRUCTIONS

S6000G ELECTRIC DOGGING



ELECTRICAL DATA

.225 Amps @ 24 VDC

Dogging Black wires

Non Polarized

PATENT PENDING

When energized by key switch or a remote maintain switch and manually depressing the push pad this will cause for the push pad to remain retracted (unlocked) providing a push-pull door operation. When de-energized the push pad and latch are released.