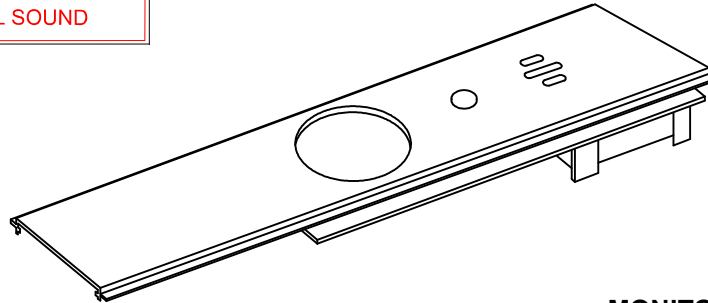




INSTALLATION INSTRUCTIONS

S6000AK & BK ALARM BOARD

**EMERGENCY EXIT ONLY
ALARM WILL SOUND**



MONITOR LED OPERATION

FLASHING GREEN – Arming Delay Mode

The device will arm after the **delay on arm** time expires.

BLINKING GREEN – Armed Mode

The unit is armed. Pressing on the push pad will sound the alarm.

RED SOLID – Alarm Mode

The alarm has been activated. The alarm will sound.

BLINKING RED – Re-Armed Mode.

The has been triggered at least once and has automatically reset and has returned to the armed mode. Pressing on the push pad bar will sound the alarm Manually resetting the device will clear this mode.

FLASHING ORANGE Low Battery.

You will also hear an intermittent beep.

FEATURES

- Monitor LED: -(field selectable Active or Off)
- Bypass: -No LED
- Armed: -Blinks every 15 seconds (GREEN when armed, RED when in alarm mode)
- Low battery Alert: -Siren will beep every 45 seconds
- Arming Delay: -15 or 60 second arming delay

Field selectable alarm modes include:

- * Continuous alarm with manual key reset
- * Alarm automatically rearms 2 or 6 minutes after door closes and may be retriggered.
- * May be manually rearmed by key before automatically rearmed.

OPTIONS:

- B: -Hard wire cable with monitoring.

SPECIFICATIONS

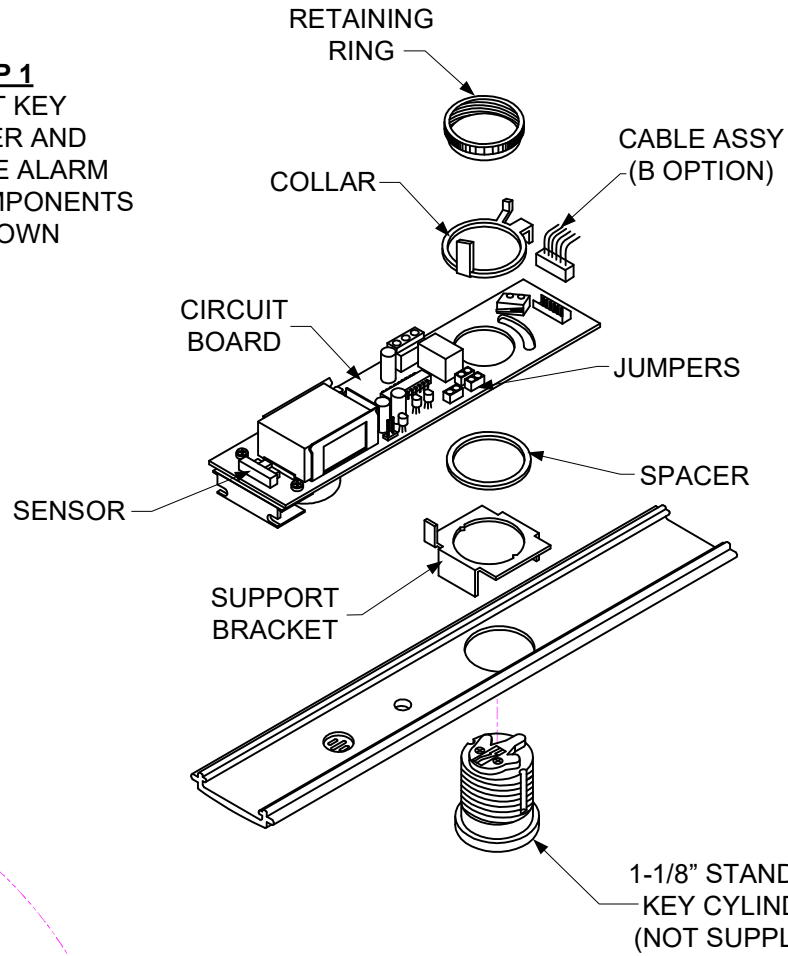
- Input Voltage: 12/24vdc @ 20mA. (“B” Option)
- Alarm output: 1 amp SPDT form “C” relay contact
- Remote Inhibit: N/O dry contact
- Siren Level db: @90db

FACTORY DEFAULT IS SET TO ALL ON POSITION

SWITCH NUMBER	FUNCTION	SWITCH POSITION	
		<input type="checkbox"/> ON	<input checked="" type="checkbox"/> OFF
1	ALARM TIMER	2 MIN	6 MIN
2	RESET MODE	MANUAL	AUTO
3	DELAY ON ARM TIME	15 SEC	60 SEC
4	MONITOR LED	NOT ACTIVE	ACTIVE

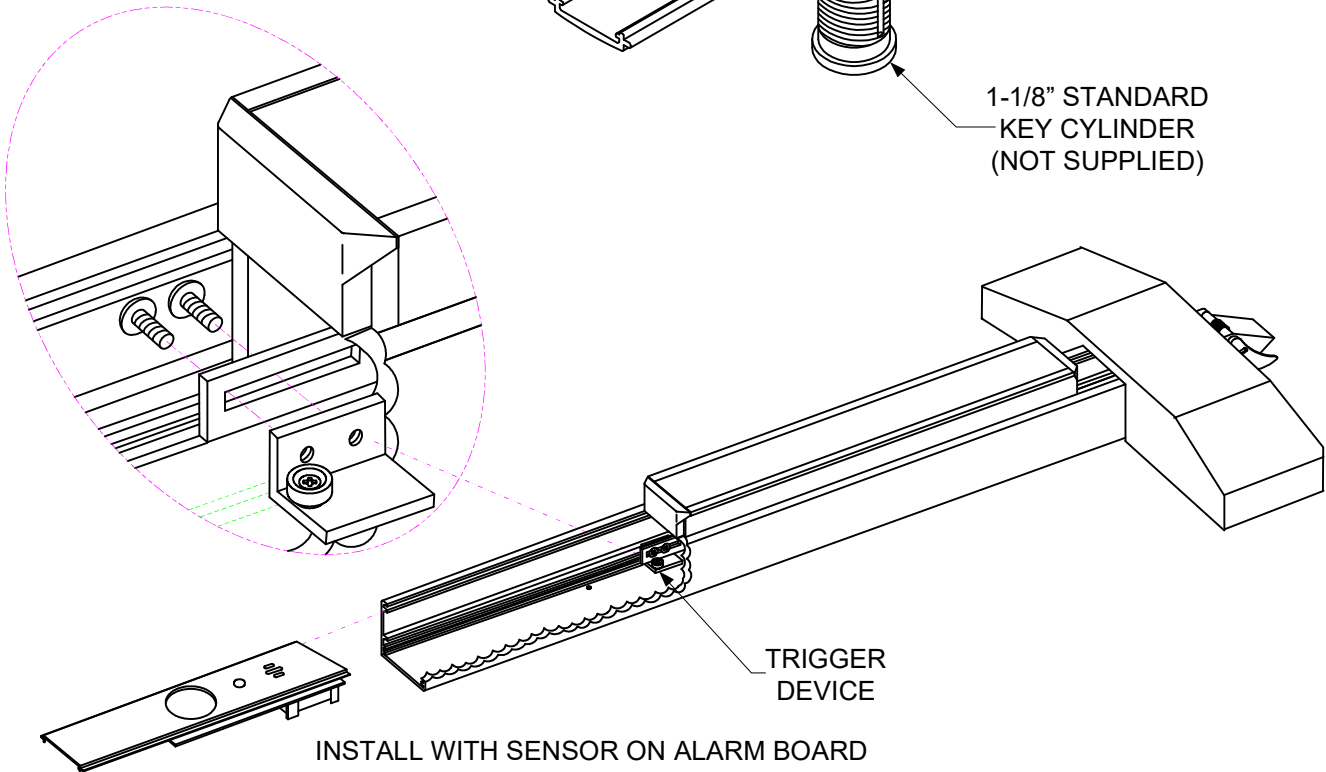
Any suggestions or comments to this instruction or product are welcome. Please contact us through our website or email engineer@sdsecurity.com

STEP 1
 INSERT KEY
 CYLINDER AND
 ASSEMBLE ALARM
 BOARD COMPONENTS
 AS SHOWN



BLUE - INHIBIT
 YELLOW - N/O
 ORANGE - N/C
 WHITE - COM
 RED - (+)
 BLACK - (-)

STEP 2
 (Alarm Board Kit Only)
 ATTACH TRIGGER
 DEVICE AS SHOWN



STEP 3
 SLIDE ALARM BOARD
 ASSEMBLY INTO EXIT
 DEVICE

STEP 4
 MOUNT SIGN
 ON DOOR

EMERGENCY EXIT ONLY
 ALARM WILL SOUND