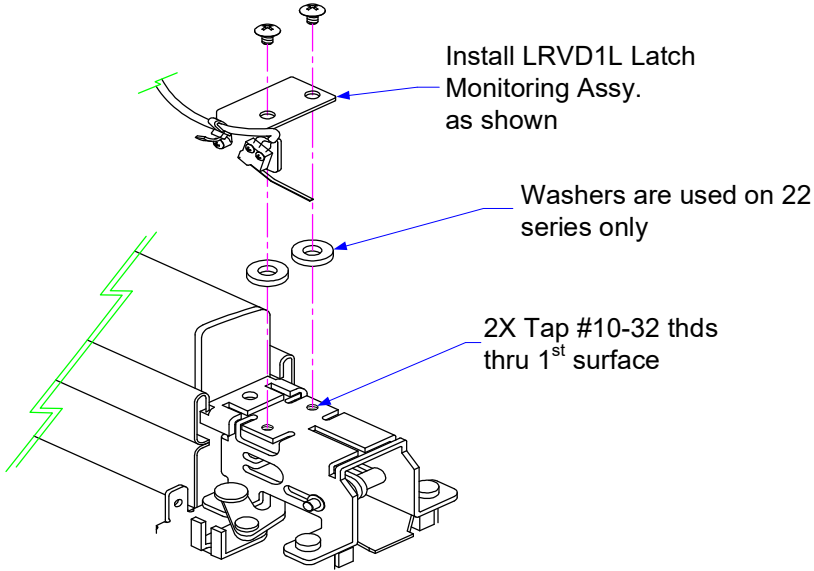




INSTALLATION INSTRUCTIONS

LRVD1L VON DUPRIN LATCH STATUS SWITCH KIT MODELS: 98/99 & 22 SERIES



SWITCH SPECIFICATION

RED - N/C
 GRN - N/O
 WHT - COM
 5AMP @ 250VAC
 RESISTIVE

