



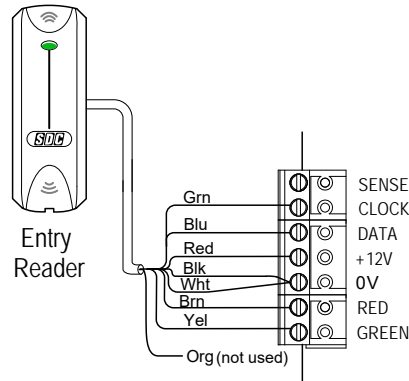
INSTALLATION INSTRUCTIONS

IPRW Proximity Reader



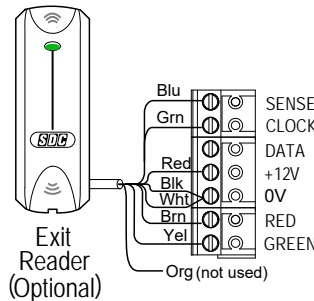
SDC P/N : IPRW

IPRW Wiring - ENTRY READER TO IPPro Controller	
Wire Color	Terminal
Green	CLOCK (Data 1)
Blue	DATA (Data 0)
Red	+12V
Black	0V
White	0V (tied together w/ Black)
Brown	RED LED
Yellow	GREEN LED
Orange	NOT USED (Buzzer)



IP Pro™ Single Door Controller
SDC P/N : IPDC or IPDCE
Reader Terminal

IPRW Wiring - EXIT READER TO IPPro Controller	
Wire Color	Terminal
Green	CLOCK (Data 1)
Blue	SENSE (Data 0)
Red	+12V
Black	0V
White	0V (tied together w/ Black)
Brown	RED LED
Yellow	GREEN LED
Orange	NOT USED (Buzzer)



IP Pro™ Single Door Controller
SDC P/N : IPDC or IPDCE
Reader Terminal

IPRW Wiring To 3rd Party Access Control System	
Wire Color	Wire Designation
Green	DATA 1
Blue	DATA 0
Red	+12V
Black	0V
White	0V (tied together w/ Black)
Brown	RED LED Control
Yellow	GREEN LED Control
Orange	Buzzer Control

IPRW Specifications:

Operating Voltage: 5 - 12 Volts DC
Current Consumption: 40 mA (max)
Operating Temperature: -4 to 122 F (-20 to +50 C)
Dimensions (H x W x D): 4.75" x 1.5" x 0.625"
Housing: Indoor/Outdoor (IP67) w/ potted electronics
Cabling: 3m Pigtail lead
Output: 26-bit Wiegand
Max. Cable Distance to Host: 328ft (100m) @12VDC, 100ft (30m) @ 5VDC
Recommended Cable: Belden 5504FE or 5506FE or equal
HID-compatible (125Khz RFID)

Any suggestions or comments to this instruction or product are welcome. Please contact us through our website or email engineer@sdsecurity.com