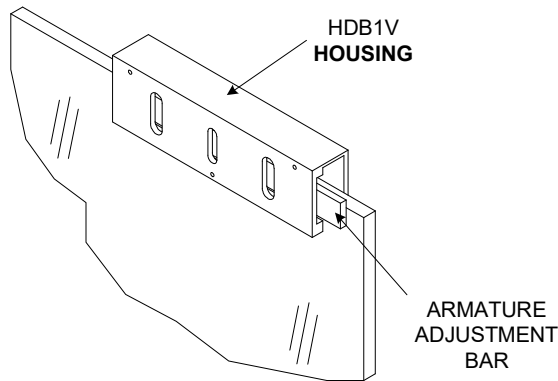




INSTALLATION INSTRUCTIONS

HDB2V GLASS DOOR MOUNTING KIT

Install the HDB1V Housing and the Armature Adjustment Bar to the glass door.

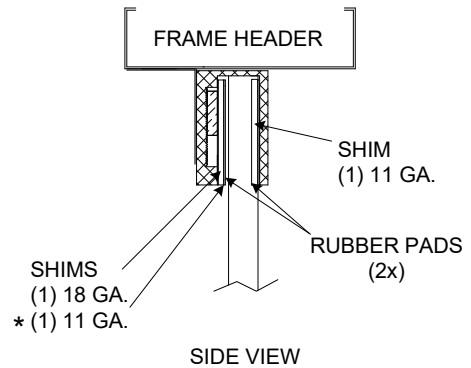
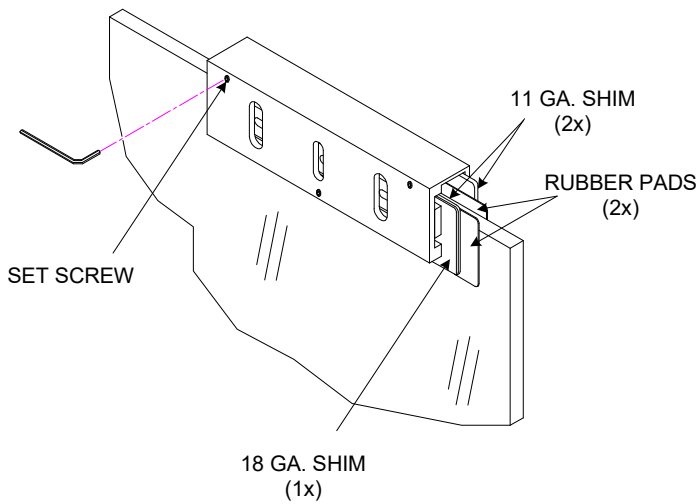


3/8" & 1/2" THICK GLASS DOOR INSTALL:

Place a Rubber Pad and a 11 GA. Shim on each side of the Housing. Place the 18 GA. Shim against the set screw side of the Housing. Fasten the pre-installed Set Screws on the Housing using the provided Allen Wrench.

5/8" THICK GLASS DOOR INSTALL:

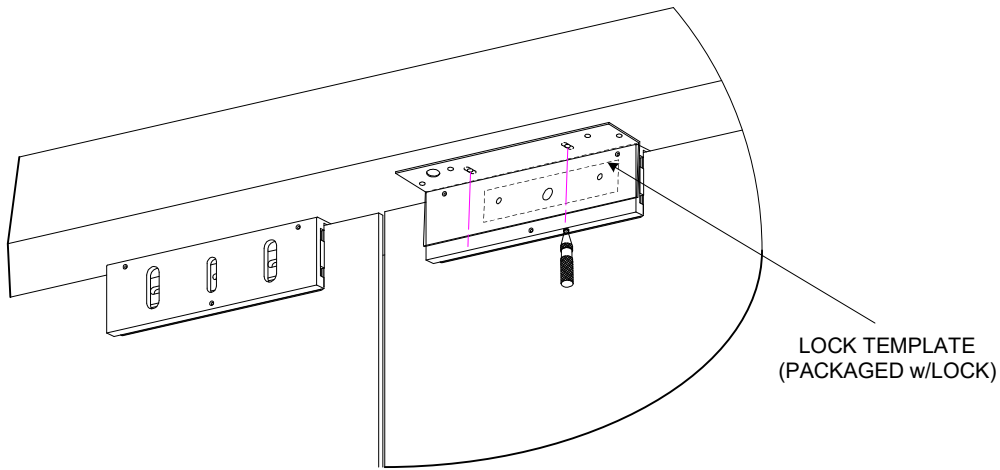
Remove (1) of the 11 GA. Shim from the set screw side of the housing. (See Image below).



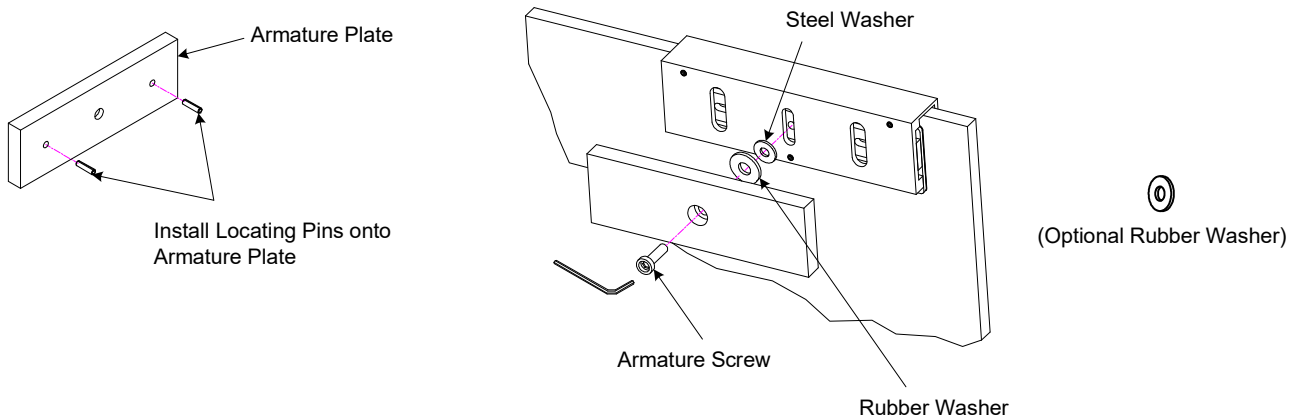
* Second 11 GA. Shim Not Required For 5/8" thick Door Installs.



Place the door into the Closed Position, using the template that is provided with the lock fold as indicated and place against the frame header and Housing. Then mark and drill as indicated on template. Repeat steps to second door.



Install the Armature Plate to the Armature Adjustment Bar. The Armature plate and Locating Pins are supplied with lock (spare pins are also supplied with HDB1V kit). Use the Armature Screw that is supplied with the HDB1V kit to secure the Armature Plate. Do not fully tighten the Armature Screw.



Adjust the Armature Adjustment Bar if required for proper alignment with the Armature plate and Magnet Lock surface. Once adjusted to the proper alignment, then fully fasten and secure the Armature Screw to the Adjustment Bar.

