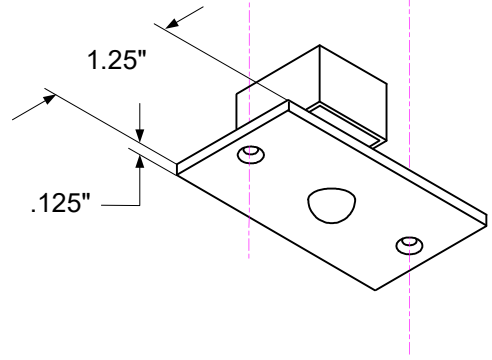
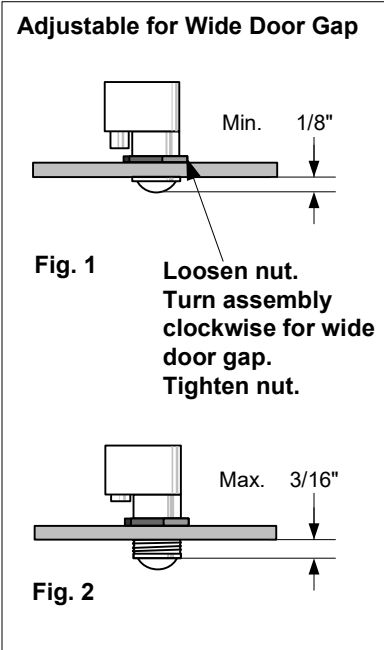
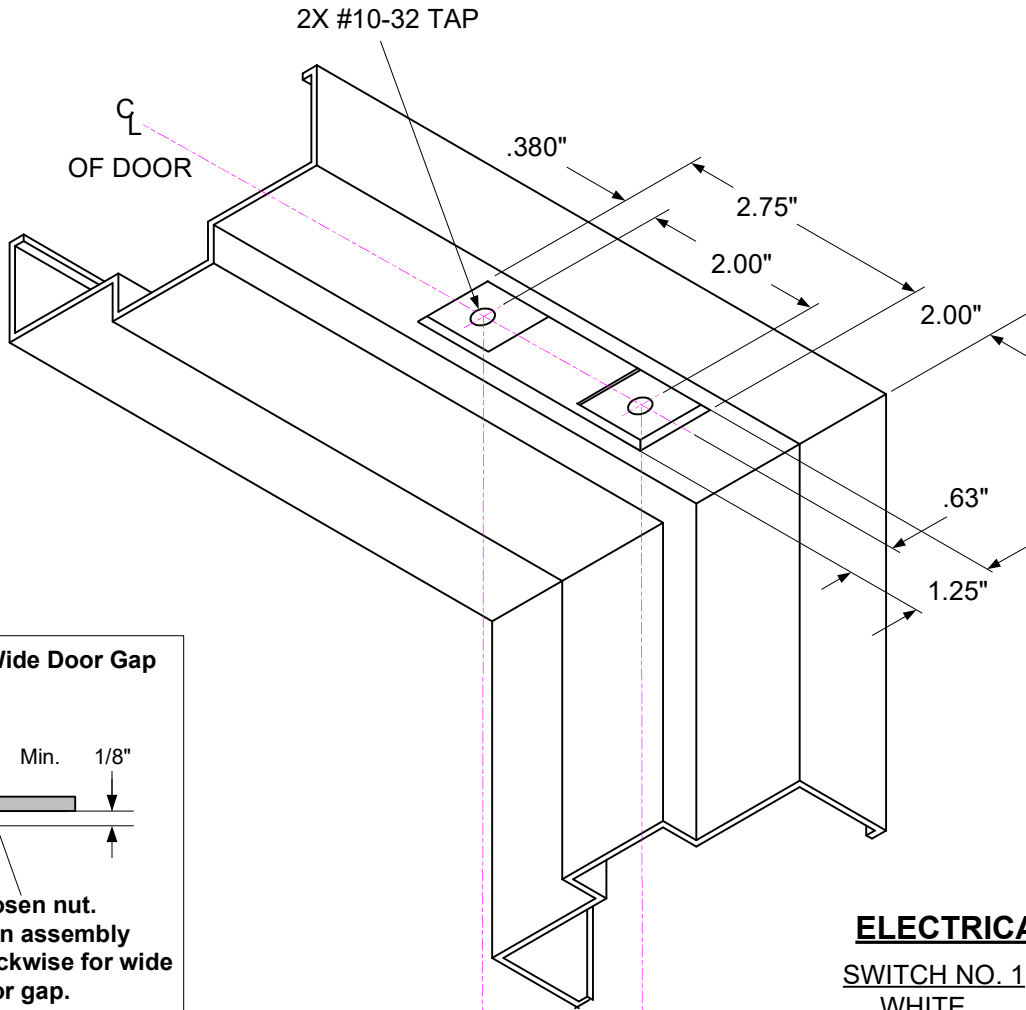




# INSTALLATION INSTRUCTIONS

## DPS-11-2 ELECTROMECHANICAL DPDT BALL SWITCH



### ELECTRICAL DATA:

#### SWITCH NO. 1

- WHITE - COM
- ORANGE - N/C
- YELLOW - N/O

#### SWITCH NO. 2

- WHITE - COM
- RED - N/C
- BLUE - N/O

SPDT 5AMP  
(Per Switch)

(DOOR CLOSED POSITION)