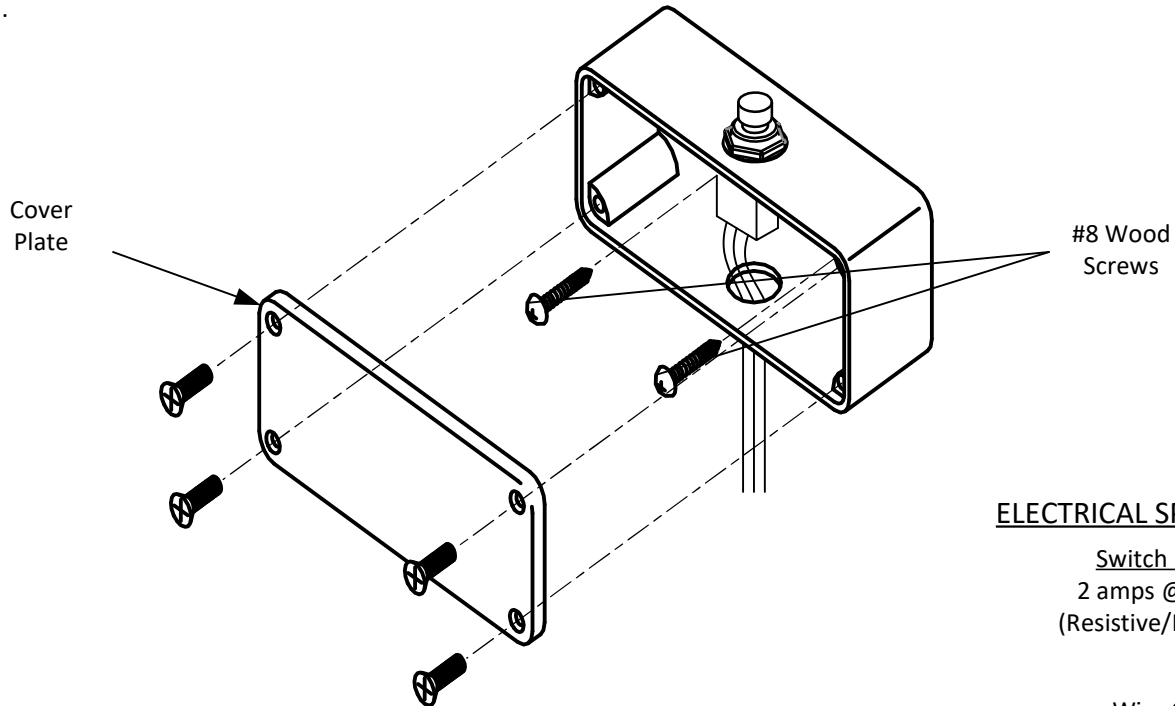




# INSTALLATION INSTRUCTIONS

## D15-1 CONCEALED REMOTE DESK SWITCH ALTERNATE ACTION SPDT PUSH SWITCH

Remove the 4 screws from the cover plate to obtain access to the mounting holes. Use the supplied #8 wood screws to fasten desk switch.

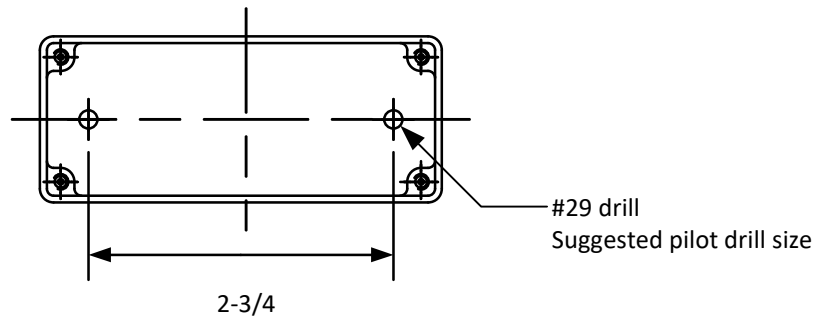


### ELECTRICAL SPECIFICATION

Switch Rating  
2 amps @ 30 vdc  
(Resistive/Inductive)

Wire Code

N/C	YELLOW
COM	WHITE
N/O	ORANGE



Mounting hole dimension  
(Not to scale)