

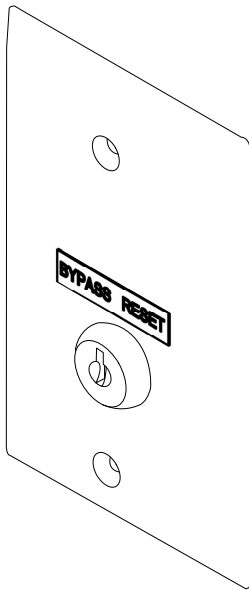


INSTALLATION INSTRUCTIONS

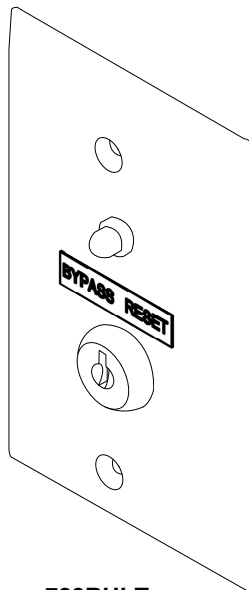
728RU SERIES KEYLOCK SWITCHES

SDC 728RU series keylock switches are designed to be used as remote bypass/reset stations for SDC Delayed Egress systems. Switch Assemblies are Single-Gang box mounted (2-1/8" depth required).

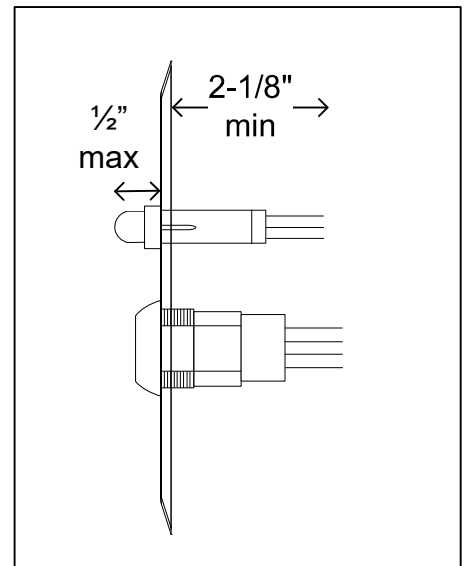
Refer to Page 2 for wiring. Once the connections are completed, mount the keylock switch assembly to a single gang mortise or surface mounted box.



728RU
Keylock Switch Only



728RULT
Keylock Switch w/
Tri-color LED



STANDARD FEATURES

- 4-Tumbler keylock switch.
- 2 keys included.
- Tamper resistant spanner screws included.
- 20 Ga. SS single-gang plate with signage.
- ***Contact Rating:** 2 Amps @ 30VDC.
- **Wire Leads:** 4", 22GA for keylock; 6", 18GA for LED
- **LED Current (L3 model only):** 35mA @ 28VDC (max)

*To be used with a Class 2 circuit, power supply or voltage compatible UL 294 or UL 603 listed power supply

FACEPLATE DIMENSIONS

728RU/728RUL3: 4.5"H x 2.875"W x 20 Ga.
Minimum Depth: 2-1/8"

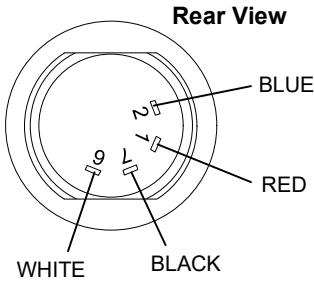
ASSEMBLY TOOLS:

For convenience, a small spanner tool is provided with the assembly for fastening of spanner security screws



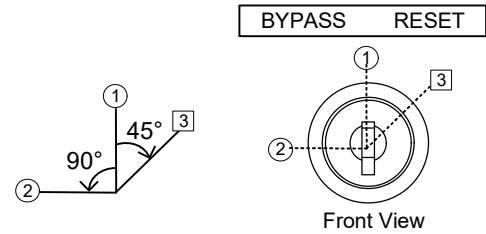
KEYSWITCH WIRING:

(See switch configuration on the right for details)



SWITCH CONFIGURATION:

3-Position Keylock Switch



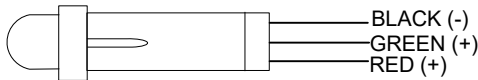
Position 1 = Standby – Red & Black wires are shorted

Position 2 = Bypass – White & Black wires are shorted

Position 3 = Reset – Red & Blue wires are shorted

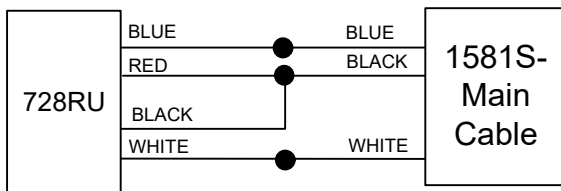
NOTE: Key may be removed in Position 1 & 2 only. Position 3 is momentary.

TRI-LED WIRING INSTRUCTIONS:

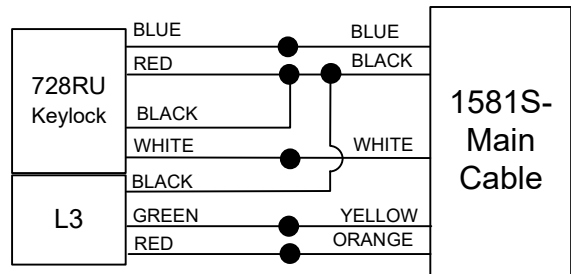


- The black wire is common.
- Apply +12-24VDC to the Green wire to turn ON the Green LED
- Apply +12-24VDC to the Red wire to turn ON the Red LED
- Apply +12-24VDC to both Red & Green to turn ON the Amber LED

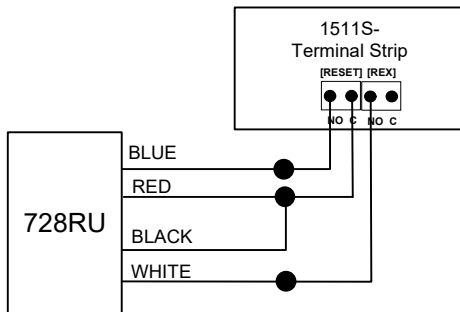
Example 1 – 728RU wired to SDC 1581S Delayed Egress Lock



Example 3 – 728RUL3 wired to SDC 1581S Delayed Egress Lock



Example 2 – 728RU wired to SDC 1511S Delayed Egress Lock



Example 4 – 728RUL3 wired to SDC 1511S Delayed Egress Lock

