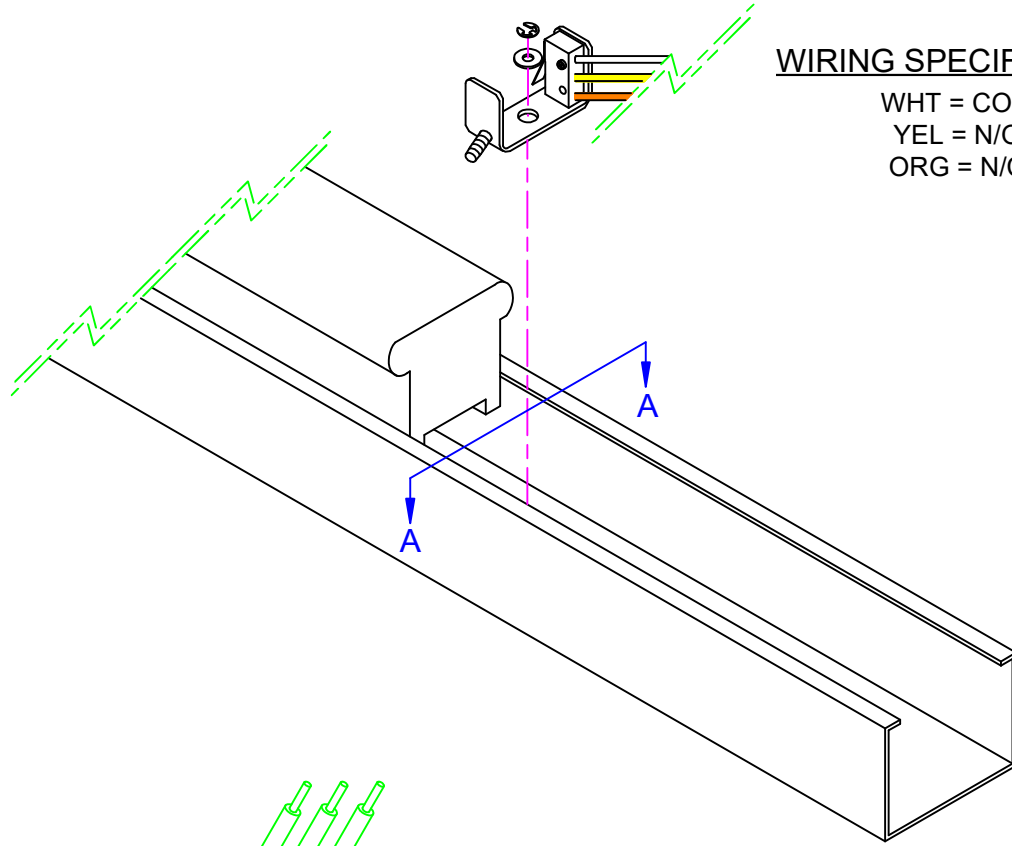




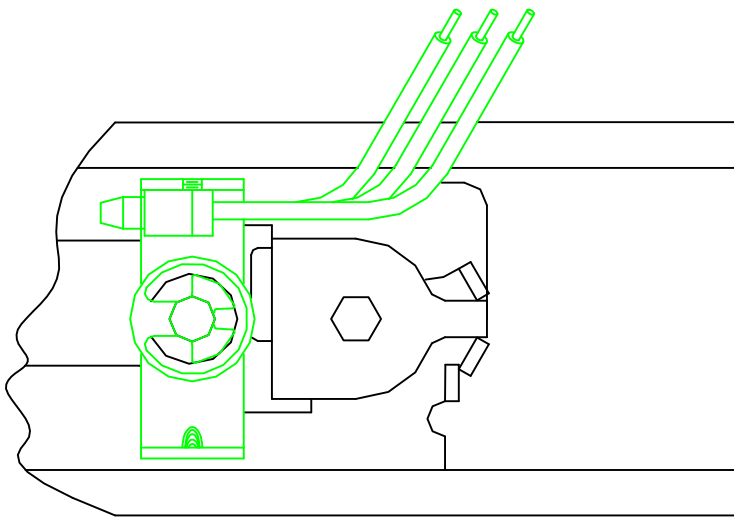
INSTALLATION INSTRUCTIONS

518A MONITORING SWITCH KIT PHI PRECISION APEX 2000 SERIES



WIRING SPECIFICATION

WHT = COM
YEL = N/O
ORG = N/C



SECTION A-A

Any suggestions or comments to this instruction or product are welcome. Please contact us through our website or email engineer@sdsecurity.com