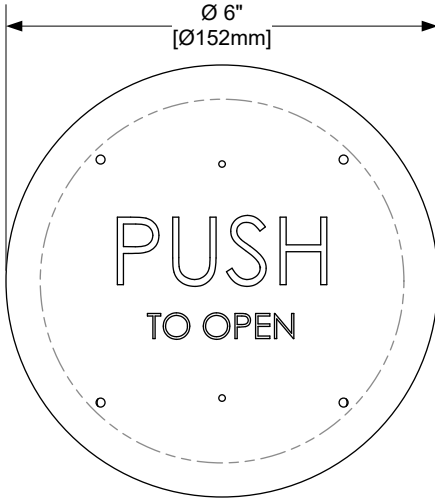




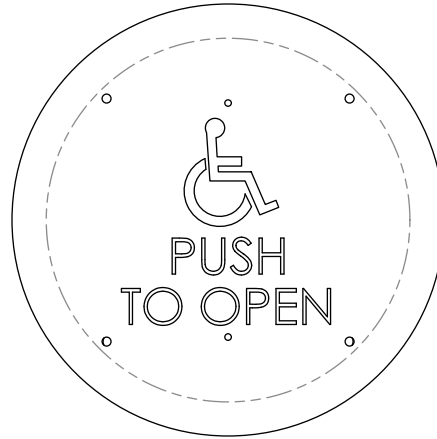
# INSTALLATION INSTRUCTIONS

## 480-6R

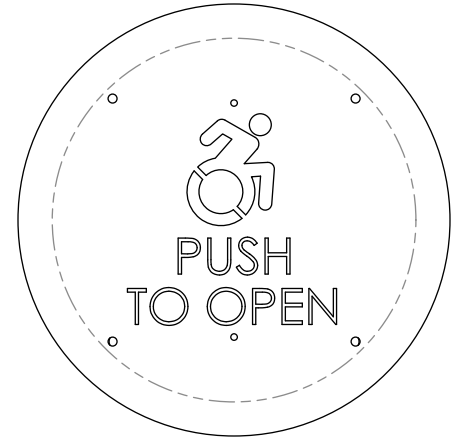
### 6" ROUND PUSH PLATE SWITCH 482O6RU / 482A6RU / 482B6RU / 484O6RU / 484A6RU / 484B6RU



482O6RU (SPDT) /  
484O6RU (DPDT)



482A6RU (SPDT) /  
484A6RU (DPDT)



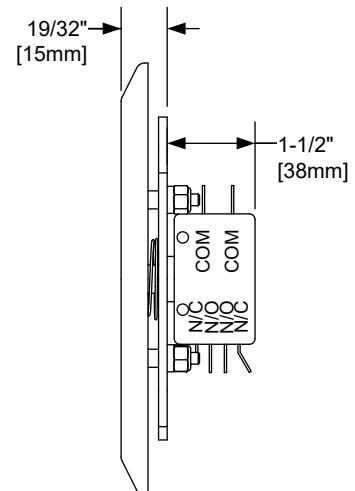
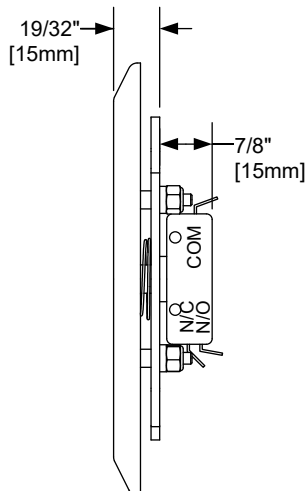
482B6RU (SPDT) /  
484B6RU (DPDT)

#### 482O6RU / 482A6RU / 482B6RU Specification:

Physical Size: 6" Dia x 1-7/16"  
Contact Type: SPDT - Momentary  
Contact Rating: 2 Amp @ 48 VDC  
15 Amp @ 125/250 VAC

#### 484O6RU / 484A6RU / 484B6RU Specification:

Physical Size: 6" Dia x 2-1/16"  
Contact Type: DPDT - Momentary  
Contact Rating: 15 Amp @ 125/250 VAC



\*Switch mounts to a standard Single Gang (2" x 4") or a 4S electrical box. Compatible with SDC supplied 480-6RSB Surface Mount Box and 480-6RFB Flush Mount box.

Any suggestions or comments to this instruction or product are welcome. Please contact us through our website or email engineer@sdsecurity.com