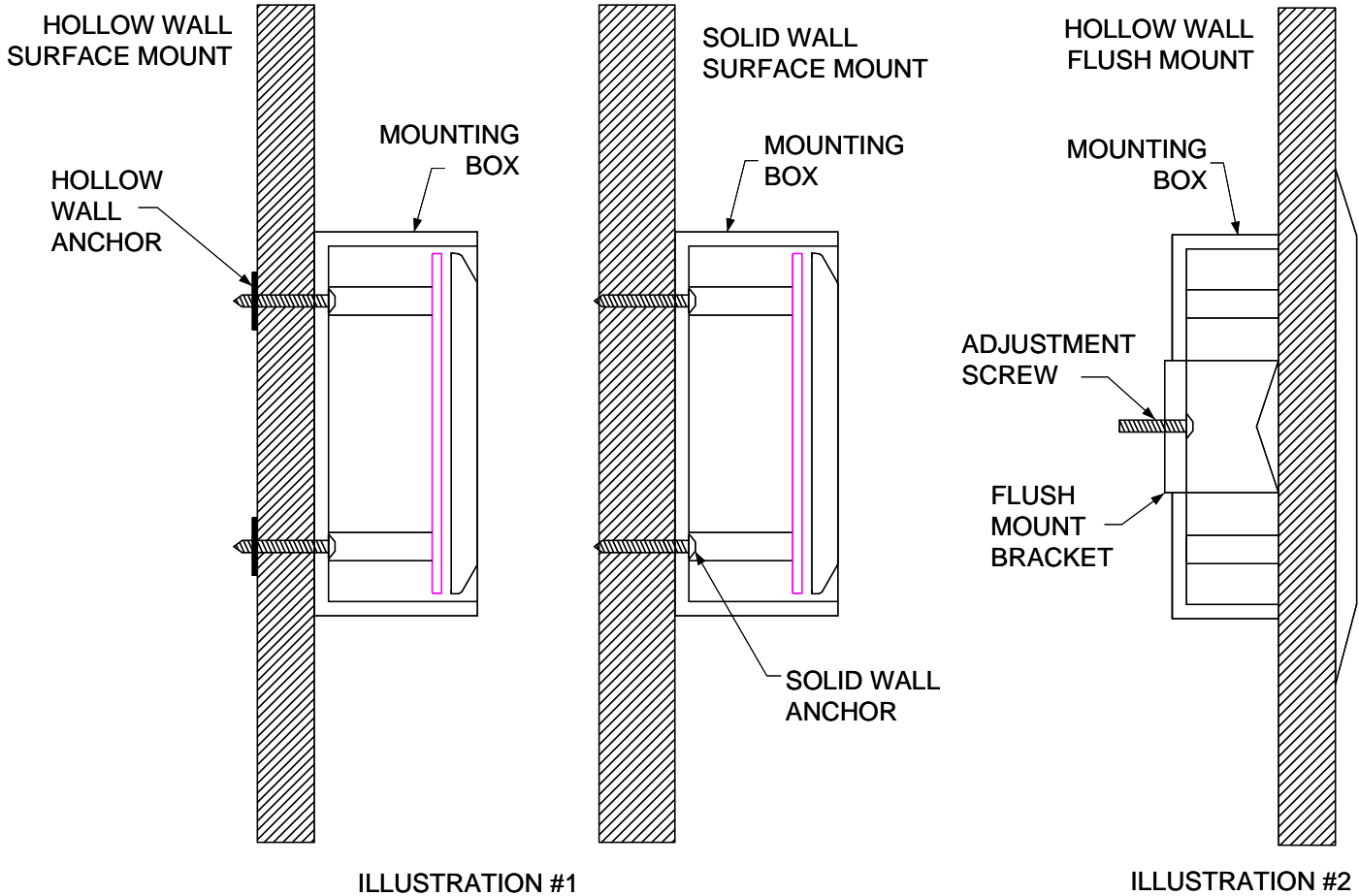




INSTALLATION INSTRUCTIONS

480-4SB & 480-4FB SQUARE SURFACE / FLUSH MOUNT BOX FOR 4-1/2" SWITCHES

CROSS SECTIONAL VIEWS

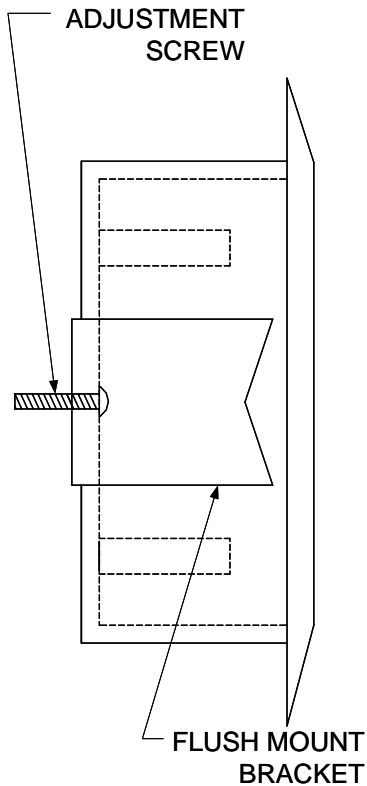


Parts included with mounting boxes: >Black ABS surface or flush mount box >Transmitter mounting pins >9V battery mounting clip >Mounting instructions >Weather resistant gasket

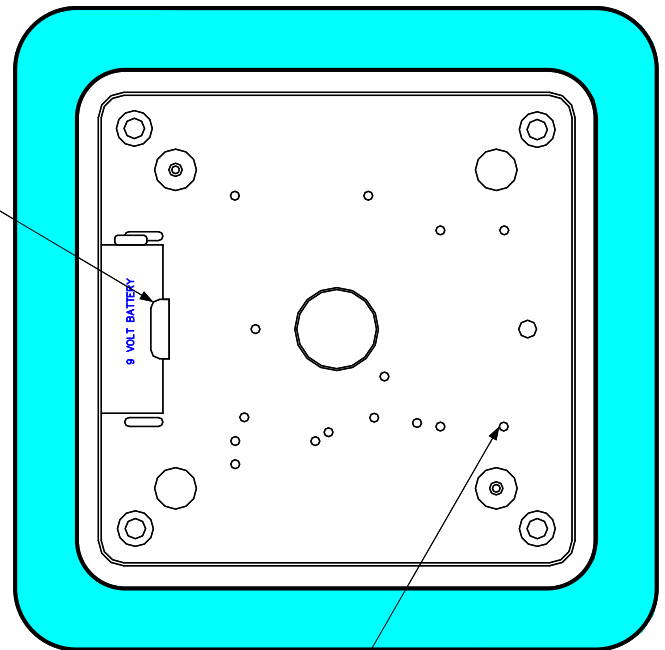
480-4SB SURFACE MOUNT: *Hollow Wall or Solid Wall (illustration #1)* 1] Drill pilot holes in mounting box (placement indications are in box). 2] Drill pilot holes in mounting surface. 3] Insert appropriate fastener (screw, toggle, etc.) through box and into mounting surface; tighten. 4] Insert Weather Resistant Gasket. 5] Complete installation of switch.

480-4FB FLUSH MOUNT: *Hollow Wall ONLY (illustration #2)* 1] Cut 5-5/8" x 5-5/8" access hole into mounting surface. 2] Insert box into the hole. 3] use the two Phillips head screws to tighten the silver hanger to the mounting surface. 4] Insert Weather Resistant Gasket. 5] Complete assembly of the switch.

480-4FB



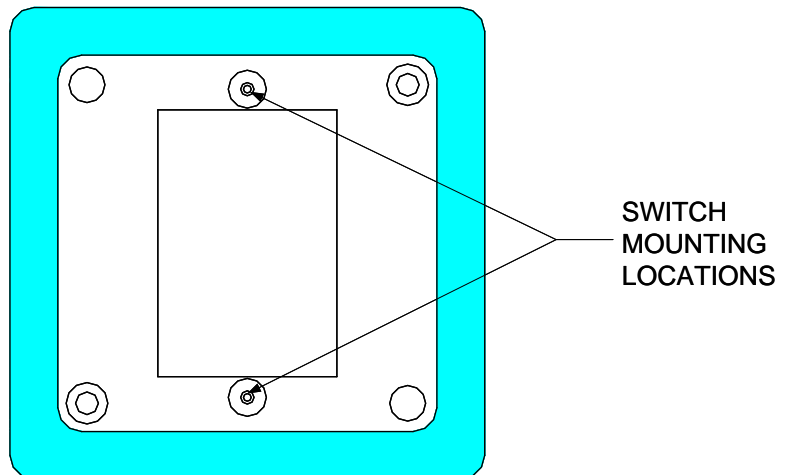
INSTALL BATTERY CLIP HERE



Dimensions: 6-3/4" X 6-3/4" x 2-1/8" (172mm x 172mm x 55mm)
 Inside Depth: 1-7/8" (48mm)
 Used with 4-1/2" X 4-1/2" switches

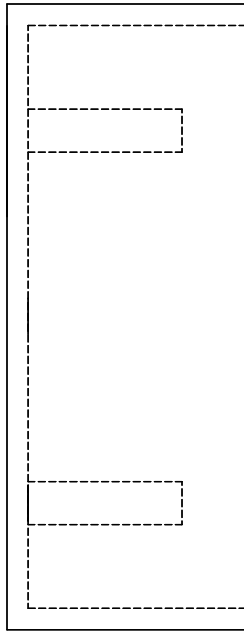
- Mounting bracket for hollow walls.
- Flush mount black ABS material for wireless or hard-wired applications; Wireless use requires RF-Transparent walls.
- Repositionable mounting pins for transmitter placement.
- Weather resistant gasket is included and must be used with 4-1/2" x 4-1/2" switches.

For surface mount use 480-4SB.

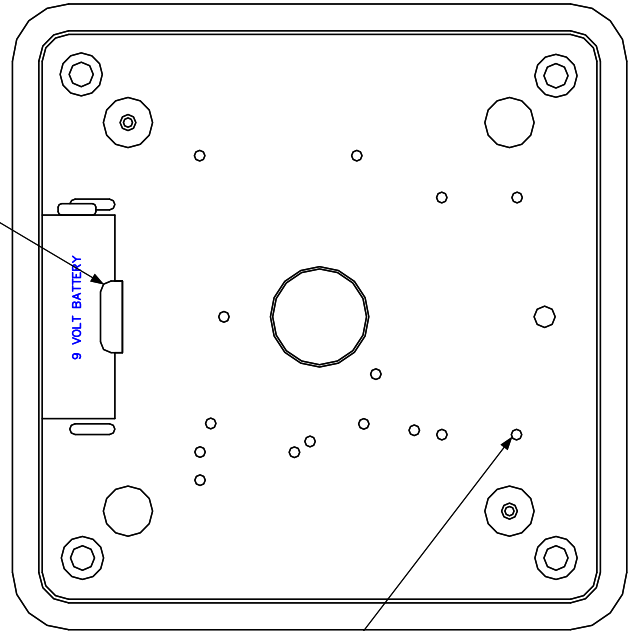


Weather resistant gasket
 Back side view

480-4SB



INSTALL
BATTERY CLIP
HERE

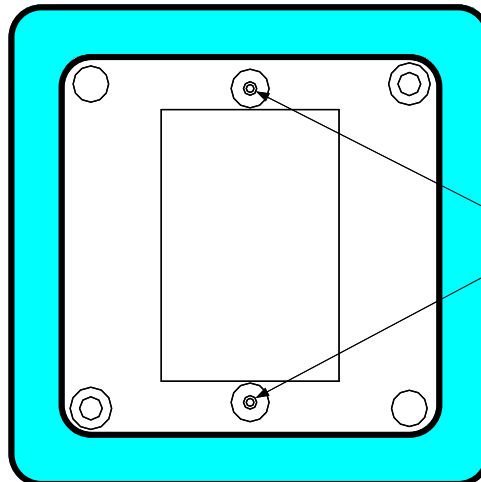


15 MOUNTING PIN
LOCATIONS FOR
TRANSMITTER

Dimensions: 5-1/2" x 5-1/2" (140mm x 55mm)
Inside Depth: 1-7/8" (48mm)
Used with 4-1/2" x 4-1/2" switches

- Surface mount black ABS material for wireless or hard-wired applications.
- Repositionable mounting pins for transmitter placement.
- Weather resistant gasket is included and must be used with 4-1/2" x 4-1/2" switches.

For flush mount use 480-4FB.



SWITCH
MOUNTING
LOCATIONS

Weather resistant gasket
Back side view