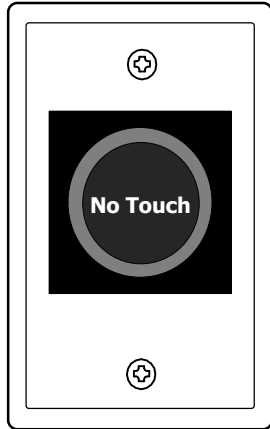




# INSTALLATION INSTRUCTIONS

## MODEL 474U TOUCHLESS SENSE SWITCH

### Installation & Operation



**NOTE:** The SDC 474 must be mounted to a single-gang electrical back box or plaster ring. All national and local codes must be followed in the installation of the 474U.

1. It is not necessary to remove the back cover. All connections should be terminated to the provided 5-pin wire harness.
2. Feed the low voltage wiring through the wall to the back box.
3. Connect the wires to the wiring harness using twist-on wire connectors, crimp connectors, or another acceptable connector (see page 2 for typical wiring examples).
4. Mount the stainless steel faceplate onto the back box using the two supplied screws. Be careful not to pinch any wires when mounting the device.
5. Apply 12 or 24 VDC power to the device. The LED indicator ring will turn RED.
6. Test for proper activation by placing a hand within a few inches of the sensor. The LED sensor ring will change from RED to GREEN, and the relay will activate.
7. If necessary, adjust the read range of the sensor by carefully turning the blue potentiometer visible through the rear cutout of the 474U.

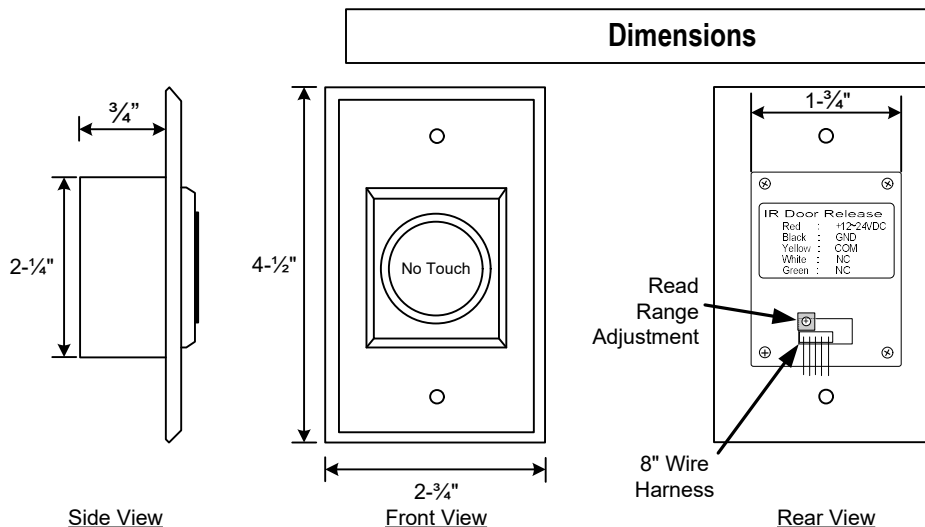
### Features & Applications

- Uses Active IR sensor technology; device is activated with the simple wave of a hand
- Designed to control electric locks/strikes, magnetic locks, or automatic door operators
- Ideal for use in cleanrooms, hospitals, labs, schools, or offices
- Adjustable sensing range from 2" up to 7"
- Mounted on a durable stainless steel plate
- Dual LED, illuminated sensor indicates status
- 8-inch color coded wire harness for easy installation.

### Specifications

Input Voltage	12 or 24VDC	
Current @ 12VDC 24VDC	36mA Standby	45mA Active
Contact Rating	(1) Form C Relay, 3A@30VDC (Resistive)	
LED Color	Standby	Red
	Active	Green
Read Range	Adjustable (2"-7")	
Output Activation Time	1 Second or as long as sensor is triggered	
Operating Temp.	-4deg F ~ 131deg F (-20C ~ 55C)	
Weight	3 oz. (85g)	
Dimensions	4.5" X 2.75" x 1.125"	

### Dimensions



### Wiring Details

Power	Red	: +12~24VDC
	Black	: GND
Relay	Yellow	: COM
	White	: NC
Output	Green	: NO

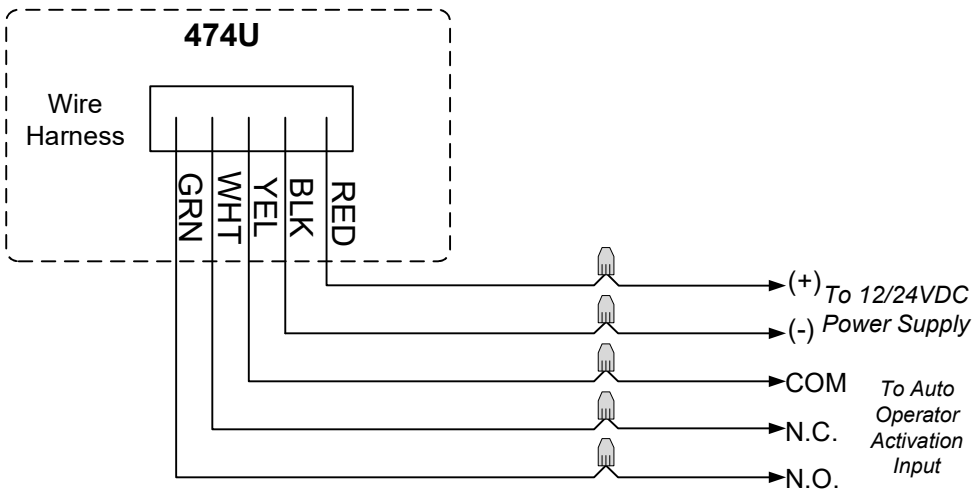
### Read Range Adjustment

NOTE: Carefully use a small phillips head screwdriver to turn blue pot, 1/4 turn at a time



**Typical Wiring Examples**

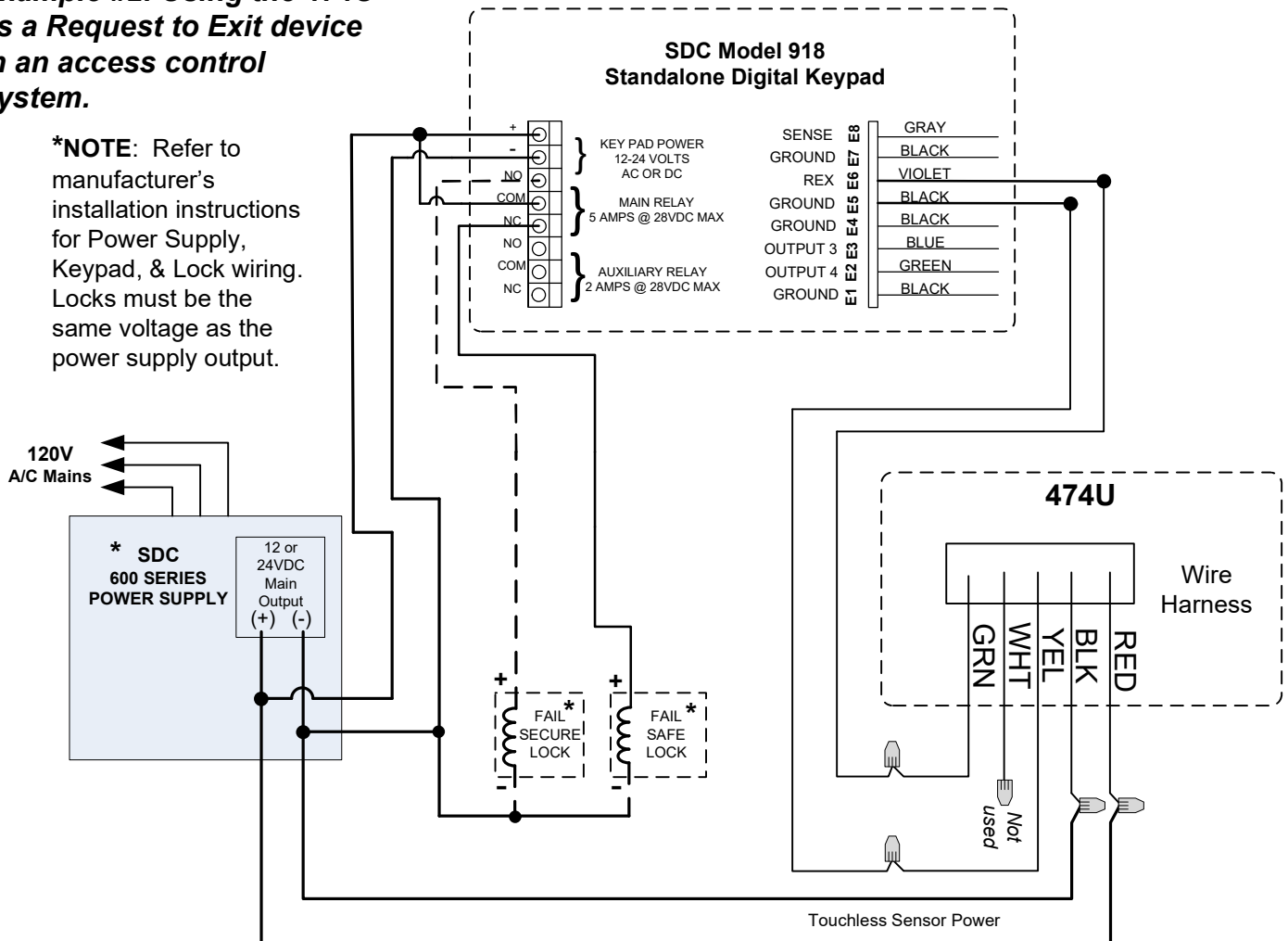
**Example 1: Connecting the 474U to an Automatic Door Operator**



**Figure 1.**

**Example #2: Using the 474U as a Request to Exit device in an access control system.**

**\*NOTE:** Refer to manufacturer's installation instructions for Power Supply, Keypad, & Lock wiring. Locks must be the same voltage as the power supply output.



**Figure 2.**