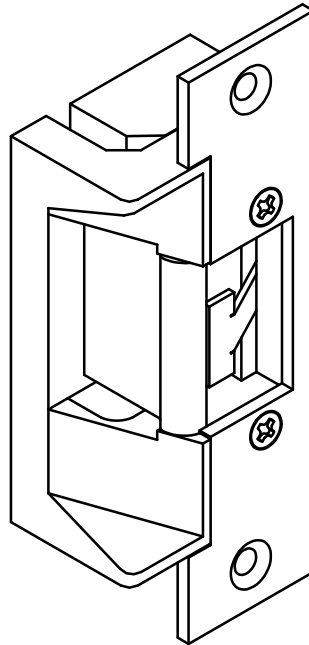




INSTALLATION INSTRUCTIONS

45F SERIES ELECTRIC STRIKES



MODEL:

- 45F-4SU – 4.875" (124mm) Square corners for hollow metal frames.

OPERATION:

Fail-Secure (Power-to-Unlock): Unlocked when energized.
Locked when de-energized and during power failure.

Fail-Safe (Power-to-Lock): Locked when energized.
Unlocked when de-energized and during power failure.

Application: For non fire rated and fire rated doors (exception, may not be used on stairwell doors). May not be maintained in the unlocked (energized) state when used with fire rated doors.

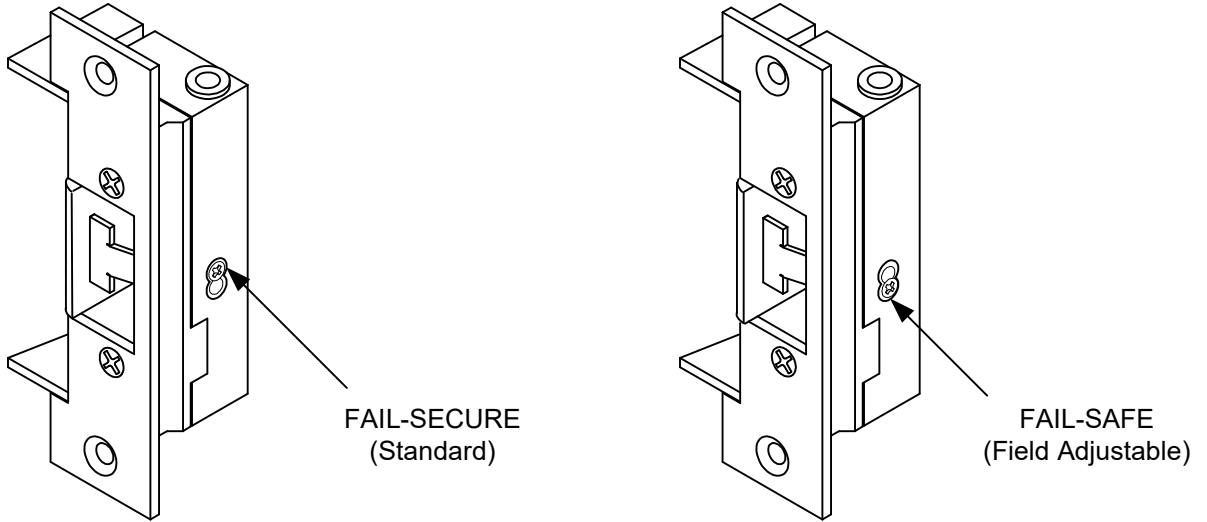
Application: Non-Fire rated doors only.

CAUTION: Fail-safe is **not** permitted with the UL Fire Door Accessory label.

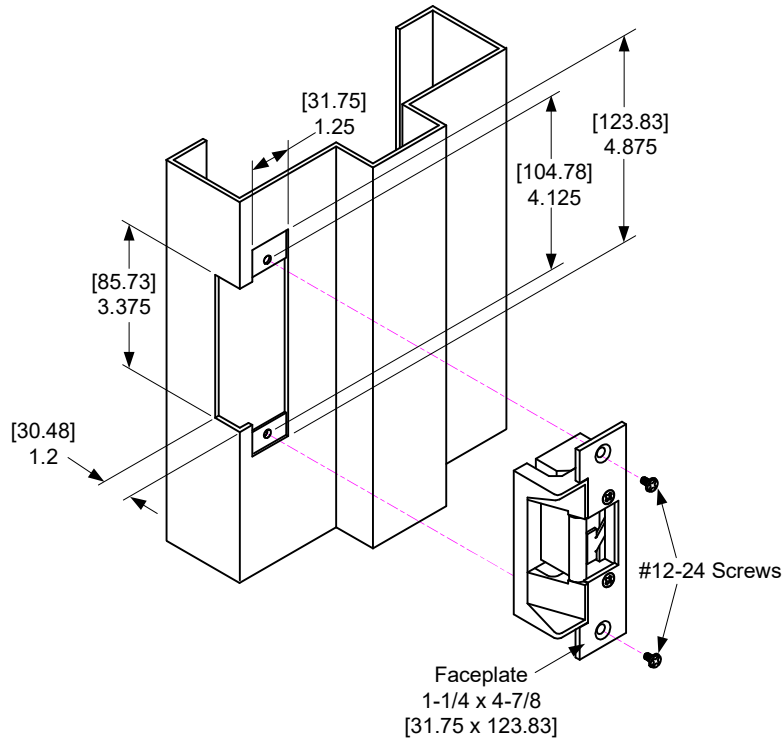
FEATURES:

- For 9/16" latch or 3/4" latch with 1/8" door gap.
- **Latch Bolt Monitor (Standard).**
- **Deadlocked Monitor (Standard).**
- **Keeper Monitor (Optional).**
- Field selectable failsafe / failsecure.
- Field selectable voltage, 12/24V AC/DC
- AC with Rectifier (BR64XL)
- 1/4" horizontal alignment adjustment.
- Plug-in wire connectors.
- Low profile, 1-3/16" deep.
- All stainless steel parts with durable die cast body for corrosion resistance.
- Fewer moving parts for maximum life.
- 630 stainless steel standard.
- UL Listed 1034 Burglary Resistant.
- UL 10C, 3 Hr Fire Rated (Fail-Secure only).
- U.S. Patent #7,540,542 B2

Failsecure standard. Field adjustable from Failsecure to Failsafe as shown.



Typical Hollow Metal Frame



Monitoring Outputs:

- **Latch Status:** Monitors position of latch.
- **Deadlocked Status:** Monitors the locked status when the keeper is closed.
- **Keeper Status:** Monitors the open/close position of keeper.

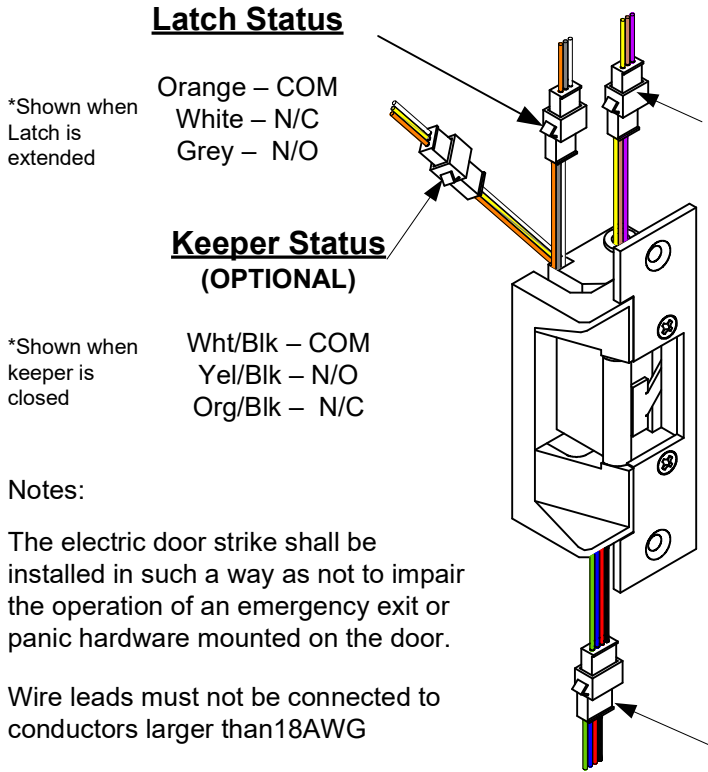
Electrical Data:

- Dual Voltage:
- 200/100mA @ 12/24VDC
 - 140/70mA @ 12/24VAC

- Latch Status:
- SPDT, Dry 3A & 30V

- Deadlock Status:
- SPDT, Dry 3A @ 30V

- Keeper Status:
- SPDT, Dry 3A @ 30V



Deadlocked Status

- Purple – COM
- Brown – N/O
- Yellow – N/C

*Shown when strike is secure

Notes:

The electric door strike shall be installed in such a way as not to impair the operation of an emergency exit or panic hardware mounted on the door.

Wire leads must not be connected to conductors larger than 18AWG

*Keeper Status is an optional monitor output

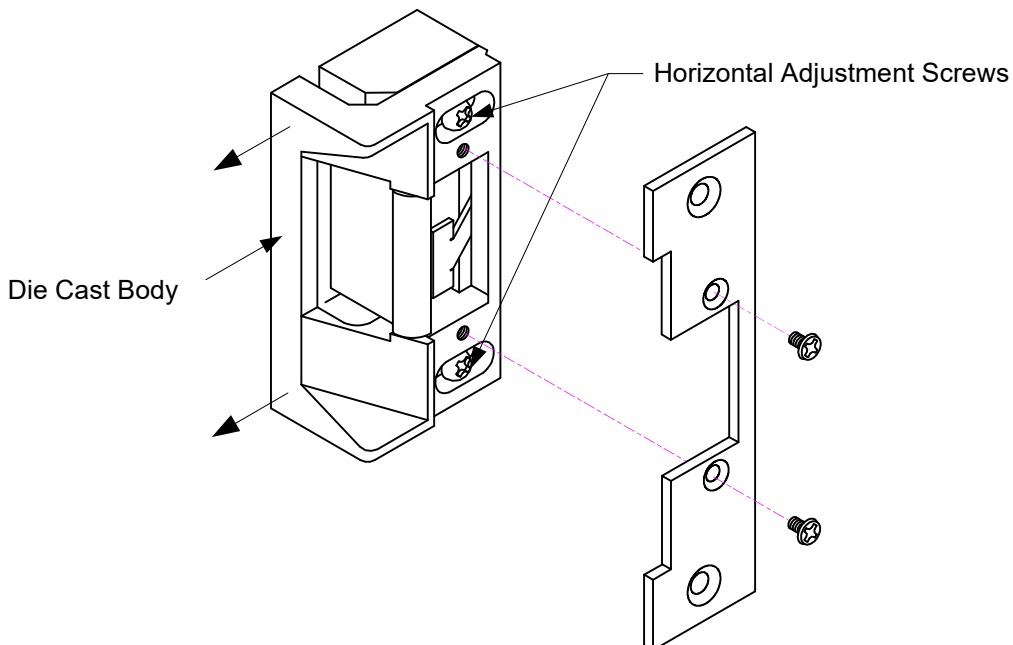
Input Power Wiring	
12VDC	24VDC

Input Power

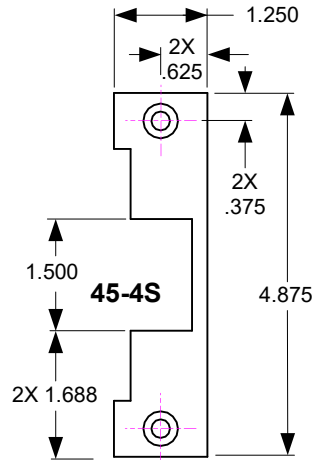
Black, Red, Blue & Green

Horizontal Adjustment

Remove Faceplate. Loosen Horizontal Adjustment Screws and slide Die Cast Body out as needed. Refasten the Adjustment Screws and replace Faceplate.



HOLLOW METAL, SQUARE CORNER FACEPLATE



MATERIAL THICKNESS = .110

45F SERIES ELECTRIC STRIKE FRAME PREPARATION FOR HOLLOW METAL FRAMES

