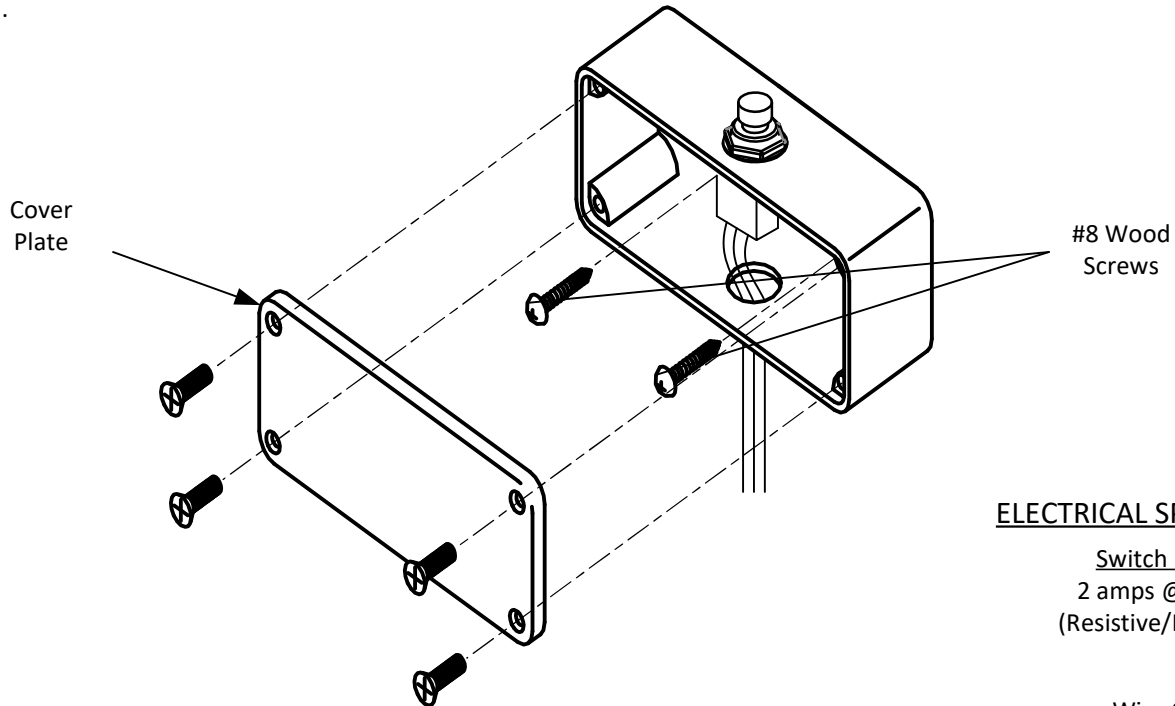




INSTALLATION INSTRUCTIONS

15-1 CONCEALED REMOTE DESK SWITCH ALTERNATE ACTION SPDT PUSH SWITCH

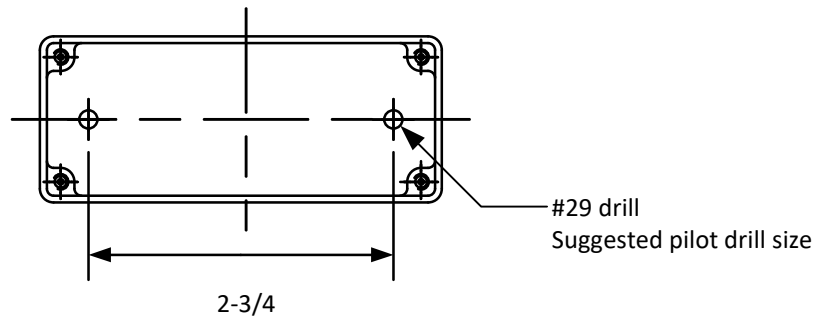
Remove the 4 screws from the cover plate to obtain access to the mounting holes. Use the supplied #8 wood screws to fasten desk switch.



ELECTRICAL SPECIFICATION

Switch Rating
2 amps @ 30 vdc
(Resistive/Inductive)

Wire Code
 N/C YELLOW
 COM WHITE
 N/O ORANGE



Mounting hole dimension
(Not to scale)