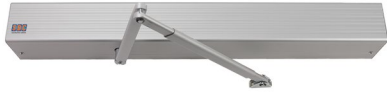


# HANDS FREE DOOR SOLUTIONS™

## ADA Compliant Electric Strike Application

### 1 AUTO Series

Low Energy Swing Door Operators



- Easy one-man installation
- Single button, self-tuning setup
- Built-in 1 Amp power supply
- On-board lock sequencing
- Hold open feature

### 2 470 Series

No Touch Switches



- WAVE-TO-OPEN
- IR sensing technology
- Wave activation up to 5"
- Illuminated dual LED sensor (red/green)

### 3 480 Series

ADA Actuators



- PUSH-TO-OPEN plates
- Single or double gang
- Round or narrow options
- Recessed, surface, and bollard mounting

### 4 923P Series

Access Control Keypads



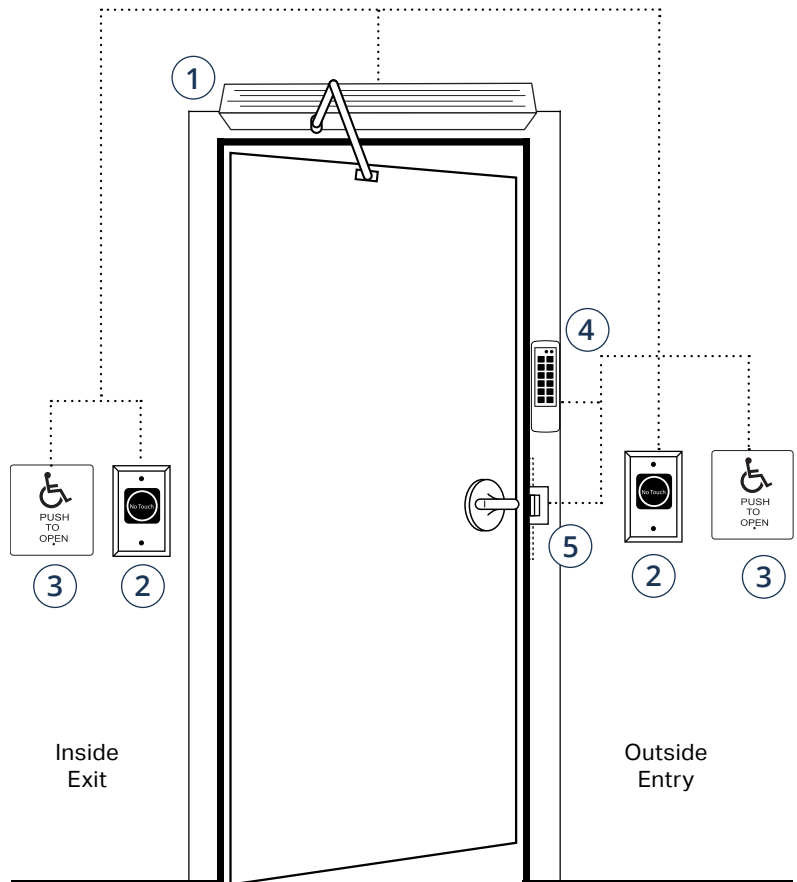
- Built-in prox reader
- Narrow, indoor/outdoor use
- Surface, mullion, or single-gang mount
- Heavy cast vandal resistant housing

### 5 45 Series

Electric Strikes



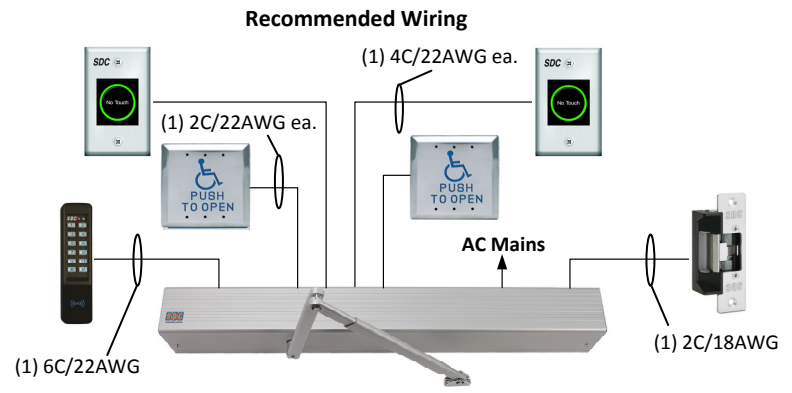
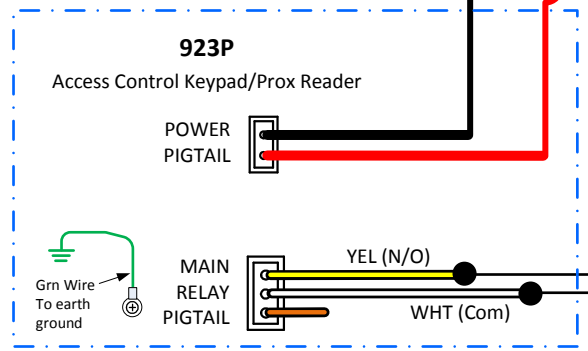
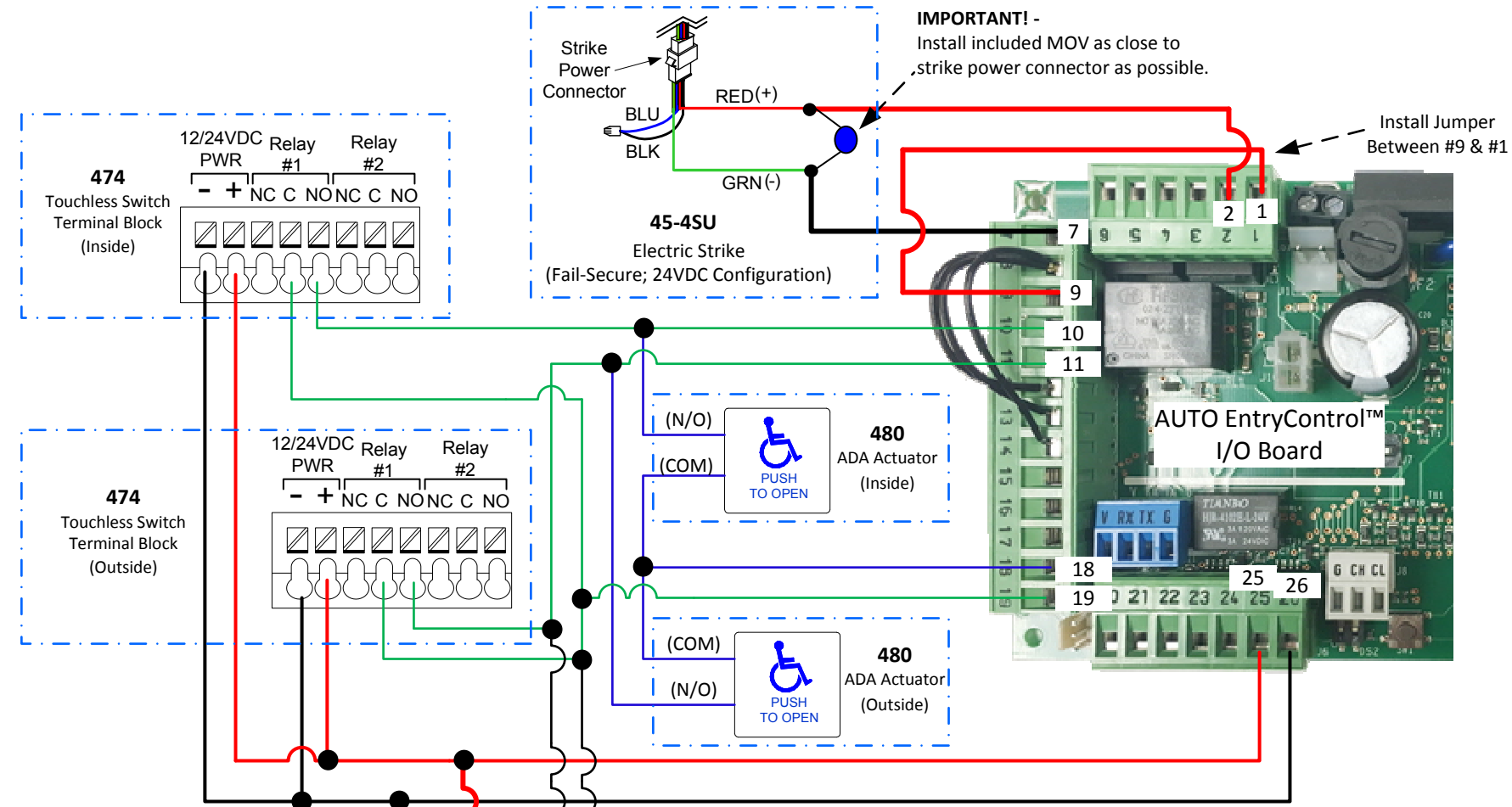
- Low profile, 1 3/16"
- For 5/8" or 3/4" latch with 1/8" door gap
- Field selectable voltage
- Field selectable failsecure/failsafe
- Latch position and keeper closed status



HANDS FREE DOOR SOLUTIONS™

- Hands Free convenience
- Hands Free code compliance
- Hands Free hygiene and contamination control

Even with national ANSI and ADA standards, building code enforcement relating to automatic doors and switch placement varies across the country. Consult your local authority having jurisdiction (AHJ) for compliance requirements.



© 2020 Security Door Controls Printed in U.S.A



**Security Door Controls**  
 801 Avenida Acaso  
 Camarillo, CA 93012  
 t 805.494.0622 ~ f 805.494.8861  
 www.sdcsecurity.com

NOTE: ALL WIRING MUST BE REVIEWED AND APPROVED BY THE PROJECT ENGINEER ASSIGNED TO THE LOCATION FOR ITS CORRECTNESS AND SUITABILITY FOR THE APPLICATION IN THE WHICH THE EQUIPMENT IS INSTALLED AND OPERATED. ALL WIRING MUST CONFORM TO NATIONAL, STATE, AND LOCAL CODES FOR CLASS 2 FIRE PROTECTION AND CONTROL DEVICES.

PROJECT NAME: -		TITLE: Hands Free Door Solution – Electric Strike			SO NO.: -	REV -
LOCATION:. -	DIST.: -	CONTACT: -	DATE: --	DRAWN BY: -	DWG. NO.: XXXX	