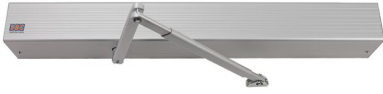


HANDS FREE DOOR SOLUTIONS™

ADA Compliant Latch Retraction Exit Device Application

1 AUTO Series Low Energy Swing Door Operators



- Easy one-man installation
- Single button, self-tuning setup
- Built-in 1 Amp power supply
- On-board lock sequencing
- Hold open feature

2 470 Series No Touch Switches



- WAVE-TO-OPEN
- IR sensing technology
- Wave activation up to 5"
- Illuminated dual LED sensor (red/green)

3 480 Series ADA Actuators



- PUSH-TO-OPEN plates
- HDPE antimicrobial options
- Single or double gang
- Round and narrow options
- Recessed, surface, and bollard mounting

4 920 Series Access Control Keypads



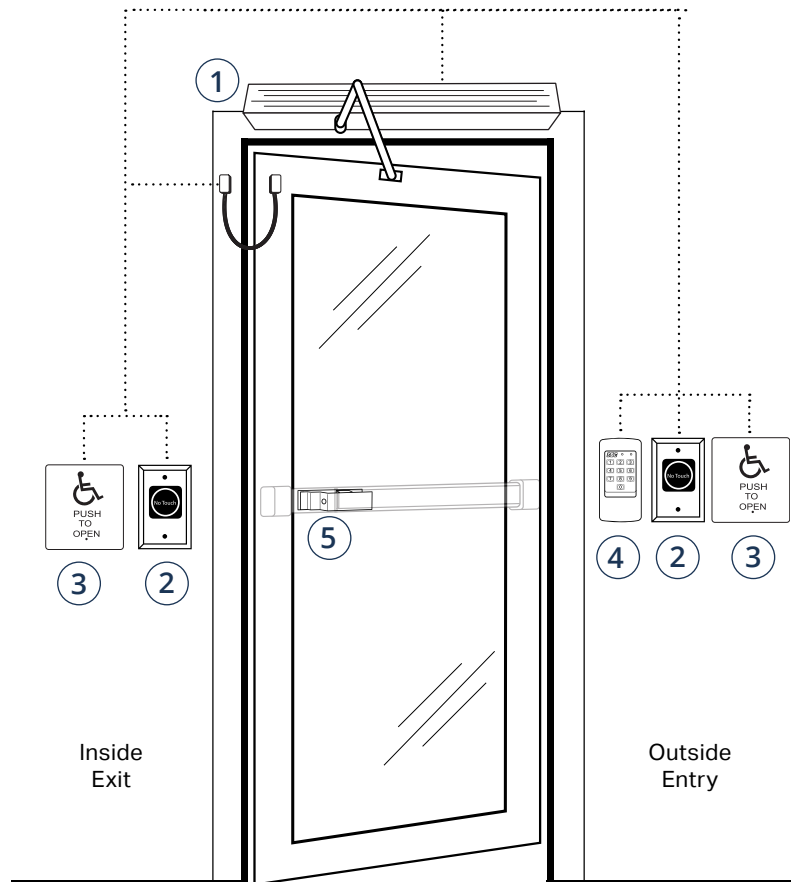
- Built-in prox readers
- Indoor/outdoor use
- Surface or single-gang mount
- Heavy cast vandal resistant housing

5 LR100 Series Motorized ELR Retrofit Kits



- Motorized latch retraction and dogging
- Eliminates costly replacement of existing device
- Available for over 30 major brands

Requires power transfer device such as our PT-3



HANDS FREE DOOR SOLUTIONS™

- Hands Free convenience
- Hands Free code compliance
- Hands Free hygiene and contamination control

Even with national ANSI and ADA standards, building code enforcement relating to automatic door and switch placement varies across the country. Consult your local authority having jurisdiction (AHJ) for compliance requirements.