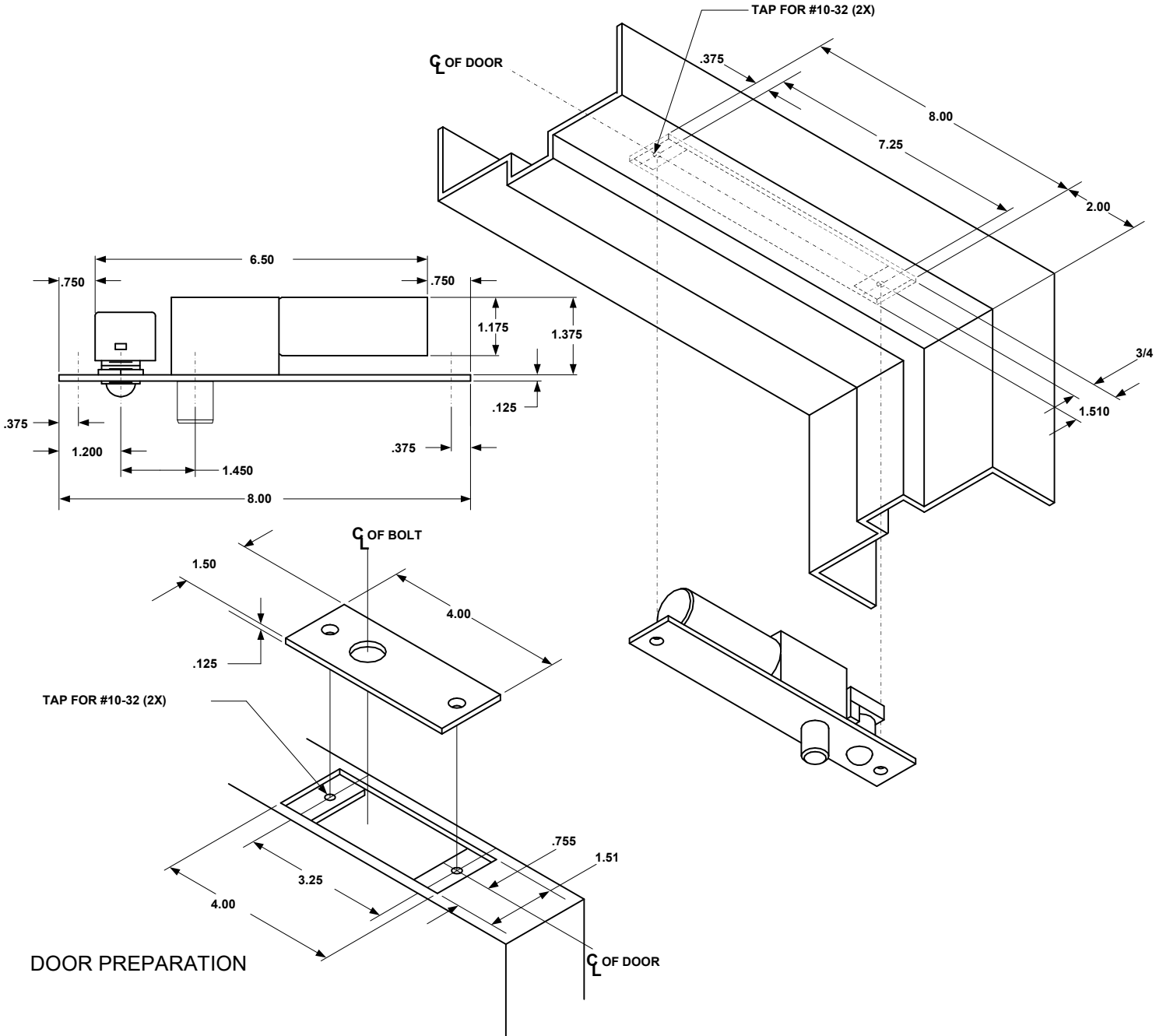




INSTALLATION INSTRUCTIONS

1091A ELECTRIC BOLT LOCK



TECHNICAL DATA (FOR STANDARD UNIT)

- FACE PLATE:** 8" x 1-1/2" X 1/8"
- STRIKE:** 4" x 1-1/2" x 1/8"
- ID REQUIREMENTS:** 8" x 1-1/2" x 1-1/2"
- BOLT:** 5/8" DIA. SOLID STAINLESS STEEL
- BOLT THROW:** 3/4"
- PR-1000 MODULE:** 3-3/4" x 1-1/4" x 1/2" Required when mounted in frame.

NOTE:
TEMPLATE DIMENSIONS ARE SUBJECT TO CHANGE WITHOUT NOTICE.